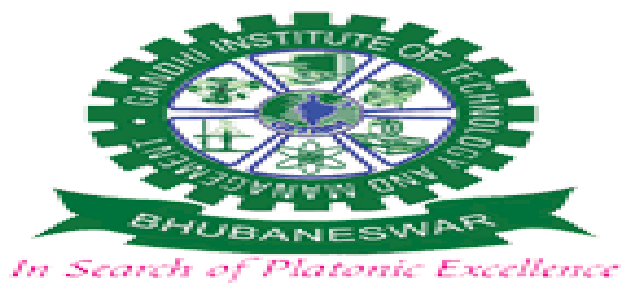


LECTURE NOTES
ON
MICRO PROCESSOR AND MICRO CONTROLLER
6th SEMESTER
Subha Darshini Misra
ASST. PROFESSOR
DEPARTMENT OF ELECTRICAL AND ELECTRONICS ENGINEERING



GANDHI INSTITUTE OF TECHNOLOGY AND MANAGEMENT (GITAM)
Affiliated to BPUT & SCTE&VT, Govt. of Odisha
Approved by AICTE, New Delhi



Syllabus

Module I: (10 hours)

Introduction to 8 bit and 16 bit Microprocessors-H/W architecture:

Introduction to microprocessor, computer and its organization, Programming system; Address bus, data bus and control bus, Tristate bus; clock generation; Connecting Microprocessor to I/O devices; Data transfer schemes; Architectural advancements of microprocessors. Introductory System design using microprocessors; 8086 – Hardware Architecture; External memory addressing; Bus cycles; some important Companion Chips; Maximum mode bus cycle; 8086 system configuration; Memory Interfacing; Minimum mode system configuration, Interrupt processing.

Module II: (8 hours)

16-bit microprocessor instruction set and assembly language programming:

Programmer's model of 8086; operand types, operand addressing; assembler directives, instruction Set-Data transfer group, Arithmetic group, Logical group.

Module III: (8 hours)

Microprocessor peripheral interfacing:

Introduction; Generation of I/O ports; Programmable Peripheral Interface (PPI) - Intel 8255; Sample-and-Hold Circuit and Multiplexer; Keyboard and Display Interface; Keyboard and Display Controller (8279).

Module IV: (12 hours)

8-bit microcontroller- H/W architecture instruction set and programming:

Introduction to 8051 Micro-Controllers, Architecture; Memory Organization; Special Function register; Port Operation; Memory Interfacing, I/O Interfacing; Programming 8051 resources, interrupts; Programmer's model of 8051; Operand types, Operand addressing; Data transfer instructions, Arithmetic instructions, Logic instructions, Control transfer instructions; Programming.

Module V: (10 hours)

Maximum mode system configuration, Direct memory access, Interfacing of D- to-A converter, A-to-D converter, CRT Terminal Interface, Printer Interface, Programming of 8051 timers, 8051 serial interface. Introduction to 80386 and 80486 Microprocessor family.

MODULE: 1

1. INTRODUCTION TO MICROPROCESSOR AND MICROCOMPUTER ARCHITECTURE:

A *microprocessor* is a programmable electronics chip that has computing and decision making capabilities similar to central processing unit of a computer. Any microprocessor-based systems having limited number of resources are called *microcomputers*. Nowadays, microprocessor can be seen in almost all types of electronics devices like mobile phones, printers, washing machines etc. Microprocessors are also used in advanced applications like radars, satellites and flights. Due to the rapid advancements in electronic industry and large scale integration of devices results in a significant cost reduction and increase application of microprocessors and their derivatives.

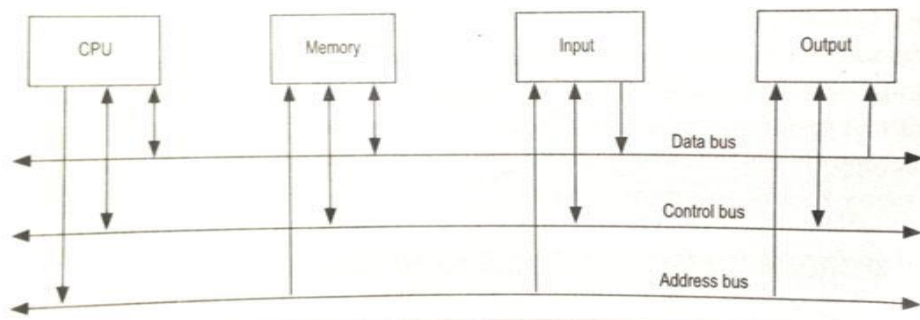


Fig.1 Microprocessor-based system

- **Bit:** A bit is a single binary digit.
- **Word:** A word refers to the basic data size or bit size that can be processed by the arithmetic and logic unit of the processor. A 16-bit binary number is called a word in a 16-bit processor.
- **Bus:** A bus is a group of wires/lines that carry similar information.
- **System Bus:** The system bus is a group of wires/lines used for communication between the microprocessor and peripherals.
- **Memory Word:** The number of bits that can be stored in a register or memory element is called a memory word.
- **Address Bus:** It carries the address, which is a unique binary pattern used to identify a memory location or an I/O port. For example, an eight bit address bus has eight lines and thus it can address $2^8 = 256$ different locations. The locations in hexadecimal format can be written as 00H – FFH.
- **Data Bus:** The data bus is used to transfer data between memory and processor or between I/O device and processor. For example, an 8-bit processor will generally have an 8-bit data bus and a 16-bit processor will have 16-bit data bus.
- **Control Bus:** The control bus carry control signals, which consists of signals for selection of memory or I/O device from the given address, direction of data transfer and synchronization of data transfer in case of slow devices.

A typical microprocessor consists of arithmetic and logic unit (ALU) in association with control unit to process the instruction execution. Almost all the microprocessors are based on the principle of store-program concept. In *store-program concept*, programs or instructions are sequentially stored in the memory locations that are to be executed. To do any task using a microprocessor, it is to be programmed by the user. So the programmer must have idea about its internal resources, features and supported instructions. Each microprocessor has a set of instructions, a list which is provided by the microprocessor manufacturer. The instruction set of a microprocessor is provided in two forms: *binary machine code and mnemonics*.

Microprocessor communicates and operates in binary numbers 0 and 1. The set of instructions in the form of binary patterns is called a *machine language* and it is difficult for us to understand. Therefore, the binary patterns are given abbreviated names, called mnemonics, which forms the *assembly language*. The conversion of assembly-level language into binary machine-level language is done by using an application called *assembler*.

Technology Used:

The semiconductor manufacturing technologies used for chips are:

- Transistor-Transistor Logic (TTL)
- Emitter Coupled Logic (ECL)
- Complementary Metal-Oxide Semiconductor (CMOS)

Classification of Microprocessors:

Based on their specification, application and architecture microprocessors are classified.

Based on size of data bus:

- 4-bit microprocessor
- 8-bit microprocessor
- 16-bit microprocessor
- 32-bit microprocessor

Based on application:

- General-purpose microprocessor- used in general computer system and can be used by programmer for any application. Examples, 8085 to Intel Pentium.
- Microcontroller- microprocessor with built-in memory and ports and can be programmed for any generic control application. Example, 8051.
- Special-purpose processors- designed to handle special functions required for an application. Examples, digital signal processors and application-specific integrated circuit (ASIC) chips.

Based on architecture:

- Reduced Instruction Set Computer (RISC) processors
- Complex Instruction Set Computer (CISC) processors

2. 8085 MICROPROCESSOR ARCHITECTURE

The 8085 microprocessor is an 8-bit processor available as a 40-pin IC package and uses +5 V for power. It can run at a maximum frequency of 3 MHz Its data bus width is 8-bit and address bus width is 16-bit, thus it can address $2^{16} = 64$ KB of memory. The internal architecture of 8085 is shown is Fig. 2.

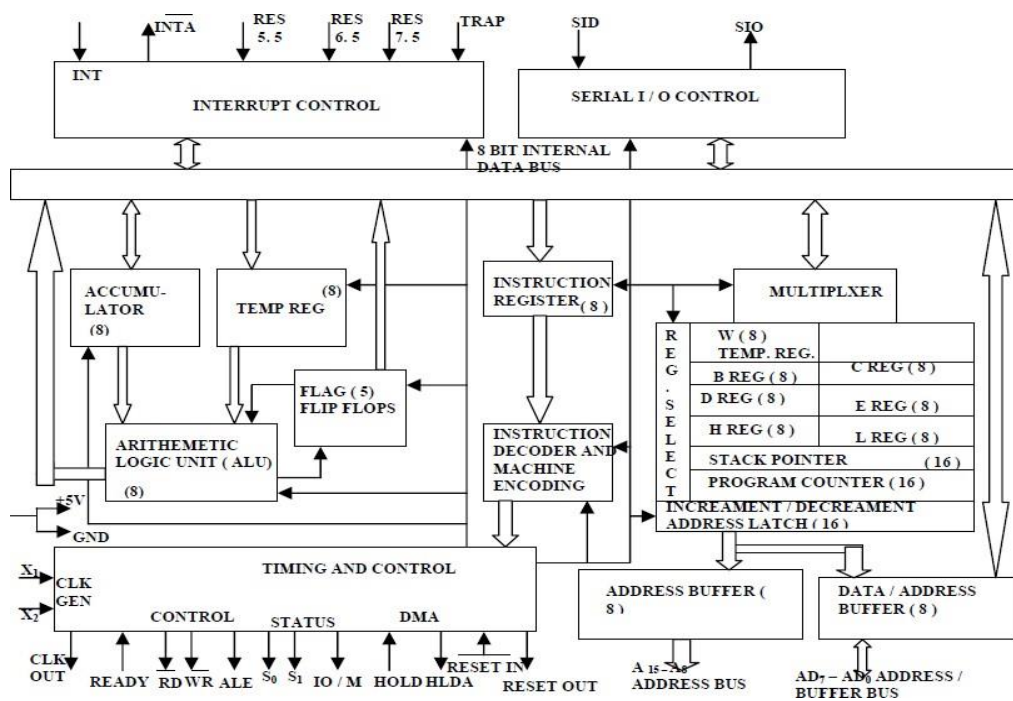


Fig. 2 Internal Architecture of 8085

Arithmetic and Logic Unit

The ALU performs the actual numerical and logical operations such as Addition (ADD), Subtraction (SUB), AND, OR etc. It uses data from memory and from Accumulator to perform operations. The results of the arithmetic and logical operations are stored in the accumulator.

Registers

The 8085 includes six registers, one accumulator and one flag register, as shown in Fig. 3. In addition, it has two 16-bit registers: stack pointer and program counter. They are briefly described as follows.

The 8085 has six general-purpose registers to store 8-bit data; these are identified as B, C, D, E, H and L. they can be combined as register pairs - BC, DE and HL to perform some

16-bit operations. The programmer can use these registers to store or copy data into the register by using data copy instructions.

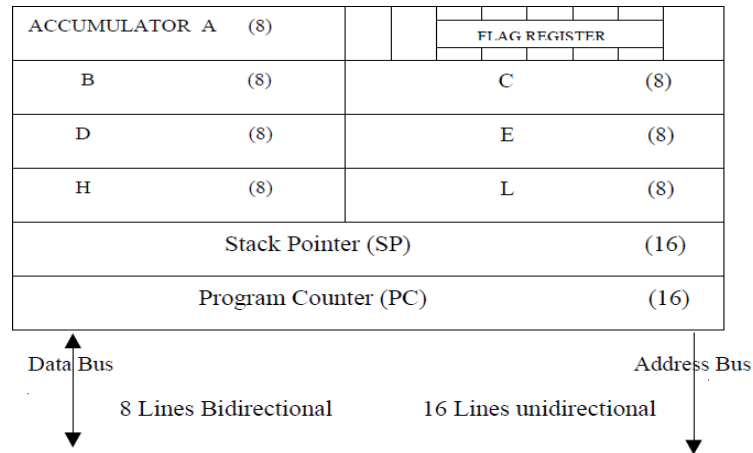


Fig. 3 Register organization

Accumulator

The accumulator is an 8-bit register that is a part of ALU. This register is used to store 8-bit data and to perform arithmetic and logical operations. The result of an operation is stored in the accumulator. The accumulator is also identified as register A.

Flag register

The ALU includes five flip-flops, which are set or reset after an operation according to data condition of the result in the accumulator and other registers. They are called Zero (Z), Carry (CY), Sign (S), Parity (P) and Auxiliary Carry (AC) flags. Their bit positions in the flag register are shown in Fig. 4. The microprocessor uses these flags to test data conditions.

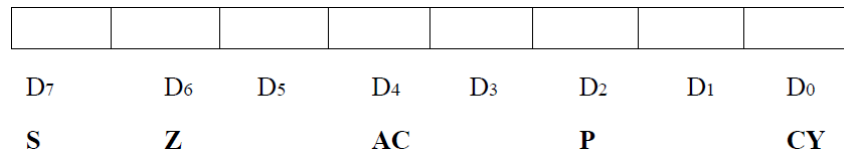


Fig. 4 Flag register

For example, after an addition of two numbers, if the result in the accumulator is larger than 8-bit, the flip-flop uses to indicate a carry by setting CY flag to 1. When an arithmetic operation results in zero, Z flag is set to 1. The S flag is just a copy of the bit D7 of the accumulator. A negative number has a 1 in bit D7 and a positive number has a 0 in 2's complement representation. The AC flag is set to 1, when a carry result from bit D3 and passes to bit D4. The P flag is set to 1, when the result in accumulator contains even number of 1s.

Program Counter (PC)

This 16-bit register deals with sequencing the execution of instructions. This register is a memory pointer. The microprocessor uses this register to sequence the execution of the instructions. The function of the program counter is to point to the memory address from which the next byte is to be fetched. When a byte is being fetched, the program counter is automatically incremented by one to point to the next memory location.

Stack Pointer (SP)

The stack pointer is also a 16-bit register, used as a memory pointer. It points to a memory location in R/W memory, called stack. The beginning of the stack is defined by loading 16-bit address in the stack pointer.

Instruction Register/Decoder

It is an 8-bit register that temporarily stores the current instruction of a program. Latest instruction sent here from memory prior to execution. Decoder then takes instruction and decodes or interprets the instruction. Decoded instruction then passed to next stage.

Control Unit

Generates signals on data bus, address bus and control bus within microprocessor to carry out the instruction, which has been decoded. Typical buses and their timing are described as follows:

- *Data Bus*: Data bus carries data in binary form between microprocessor and other external units such as memory. It is used to transmit data i.e. information, results of arithmetic etc between memory and the microprocessor. Data bus is bidirectional in nature. The data bus width of 8085 microprocessor is 8-bit i.e. 2^8 combination of binary digits and are typically identified as D0 – D7. Thus size of the data bus determines what arithmetic can be done. If only 8-bit wide then largest number is 11111111 (255 in decimal). Therefore, larger numbers have to be broken down into chunks of 255. This slows microprocessor.
- *Address Bus*: The address bus carries addresses and is one way bus from microprocessor to the memory or other devices. 8085 microprocessor contain 16-bit address bus and are generally identified as A0 - A15. The higher order address lines (A8 – A15) are unidirectional and the lower order lines (A0 – A7) are multiplexed (time-shared) with the eight data bits (D0 – D7) and hence, they are bidirectional.
- *Control Bus*: Control bus are various lines which have specific functions for coordinating and controlling microprocessor operations. The control bus carries control signals partly unidirectional and partly bidirectional. The following control and status signals are used by 8085 processor:
 - I. ALE (output): Address Latch Enable is a pulse that is provided when an address appears on the AD0 – AD7 lines, after which it becomes 0.

- II. \overline{RD} (active low output): The Read signal indicates that data are being read from the selected I/O or memory device and that they are available on the data bus.
- III. \overline{WR} (active low output): The Write signal indicates that data on the data bus are to be written into a selected memory or I/O location.
- IV. $\overline{IO/\overline{M}}$ (output): It is a signal that distinguished between a memory operation And an I/O operation. $\overline{IO/\overline{M}} = 0$ it is a memory operation and $\overline{IO/\overline{M}} = 1$ it is an I/O operation.
- V. S1 and S0 (output): These are status signals used to specify the type of operation being performed; they are listed in Table 1.

Table 1 Status signals and associated operations

S1	S0	States
0	0	Halt
0	1	Write
1	0	Read
1	1	Fetch

The schematic representation of the 8085 bus structure is as shown in Fig. 5. The microprocessor performs primarily four operations:

- I. Memory Read: Reads data (or instruction) from memory.
- II. Memory Write: Writes data (or instruction) into memory.
- III. I/O Read: Accepts data from input device.
- IV. I/O Write: Sends data to output device.

The 8085 processor performs these functions using address bus, data bus and control bus as shown in Fig. 5.

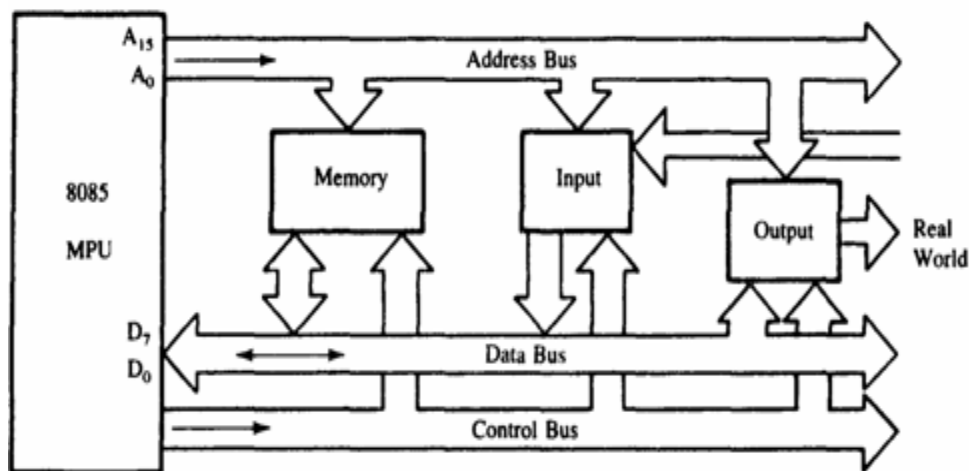


Fig. 5 The 8085 bus structure

3. 8085 PIN DESCRIPTION

Properties:

- It is a 8-bit microprocessor
- Manufactured with N-MOS technology
- 40 pin IC package
- It has 16-bit address bus and thus has $2^{16} = 64$ KB addressing capability.
- Operate with 3 MHz single-phase clock
- +5 V single power supply

The logic pin layout and signal groups of the 8085 microprocessor are shown in Fig. 6. All the signals are classified into six groups:

- Address bus
- Data bus
- Control & status signals
- Power supply and frequency signals
- Externally initiated signals
- Serial I/O signals

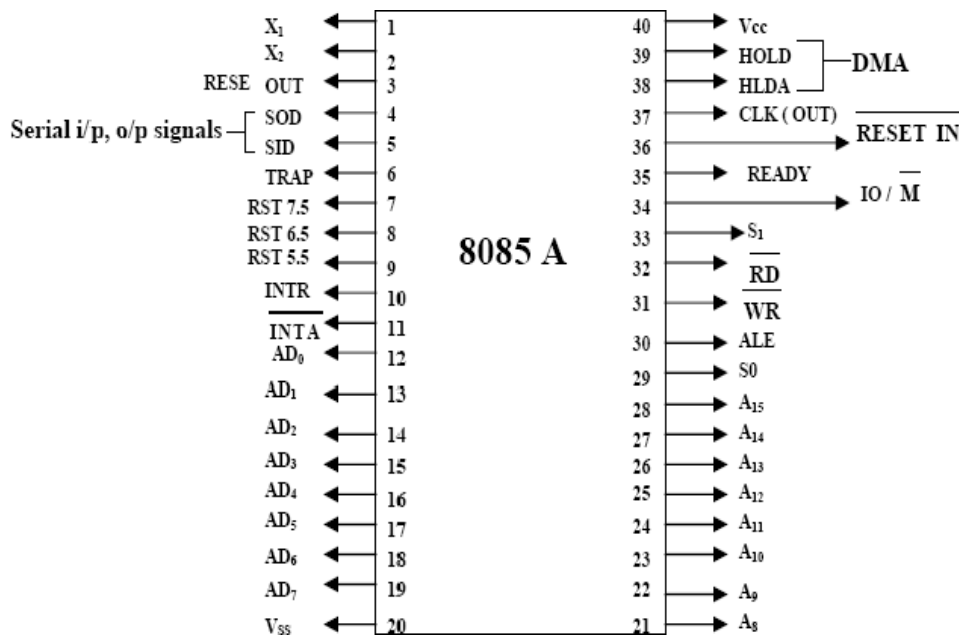


Fig. 6 8085 microprocessor pin layout and signal groups

Address and Data Buses:

- A₈ – A₁₅ (output, 3-state): Most significant eight bits of memory addresses and the eight bits of the I/O addresses. These lines enter into tri-state high impedance state during HOLD and HALT modes.
- AD₀ – AD₇ (input/output, 3-state): Lower significant bits of memory addresses and the eight bits of the I/O addresses during first clock cycle. Behaves as data bus

during third and fourth clock cycle. These lines enter into tri-state high impedance state during HOLD and HALT modes.

Control & Status Signals:

- $\overline{\text{ALE}}$: Address latch enable
- $\overline{\text{RD}}$: Read control signal.
- $\overline{\text{WR}}$: Write control signal.
- IO/M, S1 and S0 : Status signals.

Power Supply & Clock Frequency:

- Vcc: +5 V power supply
- Vss: Ground reference
- X1, X2: A crystal having frequency of 6 MHz is connected at these two pins
- CLK: Clock output

Externally Initiated and Interrupt Signals:

- $\overline{\text{RESET IN}}$: When the signal on this pin is low, the PC is set to 0, the buses are tri-stated and the processor is reset.
- RESET OUT: This signal indicates that the processor is being reset. The signal can be used to reset other devices.
- READY: When this signal is low, the processor waits for an integral number of clock cycles until it goes high.
- HOLD: This signal indicates that a peripheral like DMA (direct memory access) controller is requesting the use of address and data bus.
- HLDA: This signal acknowledges the HOLD request.
- $\overline{\text{INTR}}$: Interrupt request is a general-purpose interrupt.
- $\overline{\text{INTA}}$: This is used to acknowledge an interrupt.
- RST 7.5, RST 6.5, RST 5.5 – restart interrupt: These are vectored interrupts and have highest priority than INTR interrupt.
- TRAP: This is a non-mask able interrupt and has the highest

priority. Serial I/O Signals:

- SID: Serial input signal. Bit on this line is loaded to D7 bit of register A using RIM instruction.
- SOD: Serial output signal. Output SOD is set or reset by using SIM instruction.
-

4. INSTRUCTION SET AND EXECUTION IN 8085

Based on the design of the ALU and decoding unit, the microprocessor manufacturer provides instruction set for every microprocessor. The instruction set consists of both machine code and mnemonics.

An instruction is a binary pattern designed inside a microprocessor to perform a specific function. The entire group of instructions that a microprocessor supports is called instruction set. Microprocessor instructions can be classified based on the parameters such functionality, length and operand addressing.

Classification based on functionality:

- I. Data transfer operations: This group of instructions copies data from source to destination. The content of the source is not altered.
- II. Arithmetic operations: Instructions of this group perform operations like addition, subtraction, increment & decrement. One of the data used in arithmetic operation is stored in accumulator and the result is also stored in accumulator.
- III. Logical operations: Logical operations include AND, OR, EXOR, NOT. The operations like AND, OR and EXOR uses two operands, one is stored in accumulator and other can be any register or memory location. The result is stored in accumulator. NOT operation requires single operand, which is stored in accumulator.
- IV. Branching operations: Instructions in this group can be used to transfer program sequence from one memory location to another either conditionally or unconditionally.
- V. Machine control operations: Instruction in this group control execution of other instructions and control operations like interrupt, halt etc.

Classification based on length:

- I. One-byte instructions: Instruction having one byte in machine code. Examples are depicted in Table 2.
- I. Two-byte instructions: Instruction having two byte in machine code. Examples are depicted in Table 3
- II. Three-byte instructions: Instruction having three byte in machine code. Examples are depicted in Table 4.

Table 2 Examples of one byte instructions

Opcode	Operand	Machine code/Hex code
MOV	A, B	78
ADD	M	86

Table 3 Examples of two byte instructions

Opcode	Operand	Machine code/Hex code	Byte description
MVI	A, 7FH	3E	First byte
		7F	Second byte
ADI	0FH	C6	First byte
		0F	Second byte

Table 4 Examples of three byte instructions

Opcode	Operand	Machine code/Hex code	Byte description
JMP	9050H	C3	First byte
		50	Second byte
		90	Third byte
LDA	8850H	3A	First byte
		50	Second byte
		88	Third byte

Addressing Modes in Instructions:

The process of specifying the data to be operated on by the instruction is called addressing. The various formats for specifying operands are called addressing modes. The 8085 has the following five types of addressing:

- I. Immediate addressing
- II. Memory direct addressing
- III. Register direct addressing
- IV. Indirect addressing
- V. Implicit addressing

Immediate Addressing:

In this mode, the operand given in the instruction - a byte or word – transfers to the destination register or memory location.

Ex: MVI A, 9AH

- The operand is a part of the instruction.
- The operand is stored in the register mentioned in the instruction.

Memory Direct Addressing:

Memory direct addressing moves a byte or word between a memory location and register. The memory location address is given in the instruction.

Ex: LDA 850FH

This instruction is used to load the content of memory address 850FH in the accumulator.

Register Direct Addressing:

Register direct addressing transfer a copy of a byte or word from source register to destination register.

Ex: MOV B, C

It copies the content of register C to register B.

Indirect Addressing:

Indirect addressing transfers a byte or word between a register and a memory location.

Ex: MOV A, M

Here the data is in the memory location pointed to by the contents of HL pair. The data is moved to the accumulator.

Implicit Addressing

In this addressing mode the data itself specifies the data to be operated upon.

Ex: CMA

The instruction complements the content of the accumulator. No specific data or operand is mentioned in the instruction.

5. INSTRUCTION SET OF 8085

Data Transfer Instructions:

Opcode	Operand	Description
Copy from source to destination		
MOV	Rd, Rs M, Rs Rd, M	This instruction copies the contents of the source register into the destination register; the contents of the source register are not altered. If one of the operands is a memory location, its location is specified by the contents of the HL registers. Example: MOV B, C or MOV B, M
Move immediate 8-bit		
MVI	Rd, data M, data	The 8-bit data is stored in the destination register or memory. If the operand is a memory location, its location is specified by the contents of the HL registers. Example: MVI B, 57 or MVI M, 57
Load accumulator		
LDA	16-bit address	The contents of a memory location, specified by a 16-bit address in the operand, are copied to the accumulator. The contents of the source are not altered. Example: LDA 2034 or LDA XYZ
Load accumulator indirect		
LDAX	B/D Reg. pair	The contents of the designated register pair point to a memory location. This instruction copies the contents of that memory location into the accumulator. The contents of either the register pair or the memory location are not altered. Example: LDAX B
Load register pair immediate		
LXI	Reg. pair, 16-bit data	The instruction loads 16-bit data in the register pair designated in the operand. Example: LXI H, 2034
Load H and L registers direct		
LHLD	16-bit address	The instruction copies the contents of the memory location pointed out by the 16-bit address into register L and copies the contents of the next memory location into register H. The contents of source memory locations are not altered. Example: LHLD 2040

Store accumulator direct
STA 16-bit address

The contents of the accumulator are copied into the memory location specified by the operand. This is a 3-byte instruction, the second byte specifies the low-order address and the third byte specifies the high-order address.
Example: STA 4350 or STA XYZ

Store accumulator indirect
STAX Reg. pair

The contents of the accumulator are copied into the memory location specified by the contents of the operand (register pair). The contents of the accumulator are not altered.
Example: STAX B

Store H and L registers direct
SHLD 16-bit address

The contents of register L are stored into the memory location specified by the 16-bit address in the operand and the contents of H register are stored into the next memory location by incrementing the operand. The contents of registers HL are not altered. This is a 3-byte instruction, the second byte specifies the low-order address and the third byte specifies the high-order address.
Example: SHLD 2470

Exchange H and L with D and E
XCHG none

The contents of register H are exchanged with the contents of register D, and the contents of register L are exchanged with the contents of register E.
Example: XCHG

Copy H and L registers to the stack pointer
SPHL none

The instruction loads the contents of the H and L registers into the stack pointer register, the contents of the H register provide the high-order address and the contents of the L register provide the low-order address. The contents of the H and L registers are not altered.
Example: SPHL

Exchange H and L with top of stack
XTHL none

The contents of the L register are exchanged with the stack location pointed out by the contents of the stack pointer register. The contents of the H register are exchanged with the next stack location (SP+1); however, the contents of the stack pointer register are not altered.
Example: XTHL

Push register pair onto stack
PUSH Reg. pair

The contents of the register pair designated in the operand are copied onto the stack in the following sequence. The stack pointer register is decremented and the contents of the high-order register (B, D, H, A) are copied into that location. The stack pointer register is decremented again and the contents of the low-order register (C, E, L, flags) are copied to that location.
Example: PUSH B or PUSH A

Pop off stack to register pair
POP Reg. pair

The contents of the memory location pointed out by the stack pointer register are copied to the low-order register (C, E, L, status flags) of the operand. The stack pointer is incremented by 1 and the contents of that memory location are copied to the high-order register (B, D, H, A) of the operand. The stack pointer register is again incremented by 1.
Example: POP H or POP A

Output data from accumulator to a port with 8-bit address
OUT 8-bit port address

The contents of the accumulator are copied into the I/O port specified by the operand.
Example: OUT 87

Input data to accumulator from a port with 8-bit address
IN 8-bit port address

The contents of the input port designated in the operand are read and loaded into the accumulator.
Example: IN 82

Arithmetic Instructions:

Opcode	Operand	Description
--------	---------	-------------

Add register or memory to accumulator

ADD	R
	M

The contents of the operand (register or memory) are added to the contents of the accumulator and the result is stored in the accumulator. If the operand is a memory location, its location is specified by the contents of the HL registers. All flags are modified to reflect the result of the addition.
Example: ADD B or ADD M

Add register to accumulator with carry

ADC	R
	M

The contents of the operand (register or memory) and the Carry flag are added to the contents of the accumulator and the result is stored in the accumulator. If the operand is a memory location, its location is specified by the contents of the HL registers. All flags are modified to reflect the result of the addition.
Example: ADC B or ADC M

Add immediate to accumulator

ADI	8-bit data
-----	------------

The 8-bit data (operand) is added to the contents of the accumulator and the result is stored in the accumulator. All flags are modified to reflect the result of the addition.
Example: ADI 45

Add immediate to accumulator with carry

ACI	8-bit data
-----	------------

The 8-bit data (operand) and the Carry flag are added to the contents of the accumulator and the result is stored in the accumulator. All flags are modified to reflect the result of the addition.
Example: ACI 45

Add register pair to H and L registers

DAD	Reg. pair
-----	-----------

The 16-bit contents of the specified register pair are added to the contents of the HL register and the sum is stored in the HL register. The contents of the source register pair are not altered. If the result is larger than 16 bits, the CY flag is set. No other flags are affected.
Example: DAD H

Subtract register or memory from accumulator

SUB R
 M

The contents of the operand (register or memory) are subtracted from the contents of the accumulator, and the result is stored in the accumulator. If the operand is a memory location, its location is specified by the contents of the HL registers. All flags are modified to reflect the result of the subtraction.

Example: SUB B or SUB M

Subtract source and borrow from accumulator

SBB R
 M

The contents of the operand (register or memory) and the Borrow flag are subtracted from the contents of the accumulator and the result is placed in the accumulator. If the operand is a memory location, its location is specified by the contents of the HL registers. All flags are modified to reflect the result of the subtraction.

Example: SBB B or SBB M

Subtract immediate from accumulator

SUI 8-bit data

The 8-bit data (operand) is subtracted from the contents of the accumulator and the result is stored in the accumulator. All flags are modified to reflect the result of the subtraction.

Example: SUI 45

Subtract immediate from accumulator with borrow

SBI 8-bit data

The 8-bit data (operand) and the Borrow flag are subtracted from the contents of the accumulator and the result is stored in the accumulator. All flags are modified to reflect the result of the subtraction.

Example: SBI 45

Increment register or memory by 1

INR R
 M

The contents of the designated register or memory) are incremented by 1 and the result is stored in the same place. If the operand is a memory location, its location is specified by the contents of the HL registers.

Example: INR B or INR M

Increment register pair by 1

INX R

The contents of the designated register pair are incremented by 1 and the result is stored in the same place.

Example: INX H

Decrement register or memory by 1

DCR R
 M

The contents of the designated register or memory are decremented by 1 and the result is stored in the same place. If the operand is a memory location, its location is specified by the contents of the HL registers.
Example: DCR B or DCR M

Decrement register pair by 1

DCX R

The contents of the designated register pair are decremented by 1 and the result is stored in the same place.
Example: DCX H

Decimal adjust accumulator

DAA none

The contents of the accumulator are changed from a binary value to two 4-bit binary coded decimal (BCD) digits. This is the only instruction that uses the auxiliary flag to perform the binary to BCD conversion, and the conversion procedure is described below. S, Z, AC, P, CY flags are altered to reflect the results of the operation.

If the value of the low-order 4-bits in the accumulator is greater than 9 or if AC flag is set, the instruction adds 6 to the low-order four bits.

If the value of the high-order 4-bits in the accumulator is greater than 9 or if the Carry flag is set, the instruction adds 6 to the high-order four bits.

Example: DAA

BRANCHING INSTRUCTIONS

Opcode Operand Description

Jump unconditionally

JMP 16-bit address

The program sequence is transferred to the memory location specified by the 16-bit address given in the operand.

Example: JMP 2034 or JMP XYZ

Jump conditionally

Operand: 16-bit address

The program sequence is transferred to the memory location specified by the 16-bit address given in the operand based on the specified flag of the PSW as described below.

Example: JZ 2034 or JZ XYZ

Opcode	Description	Flag Status
JC	Jump on Carry	CY = 1
JNC	Jump on no Carry	CY = 0
JP	Jump on positive	S = 0
JM	Jump on minus	S = 1
JZ	Jump on zero	Z = 1
JNZ	Jump on no zero	Z = 0
JPE	Jump on parity even	P = 1
JPO	Jump on parity odd	P = 0

Unconditional subroutine call

CALL 16-bit address

The program sequence is transferred to the memory location specified by the 16-bit address given in the operand. Before the transfer, the address of the next instruction after CALL (the contents of the program counter) is pushed onto the stack.
Example: CALL 2034 or CALL XYZ

Call conditionally

Operand: 16-bit address

The program sequence is transferred to the memory location specified by the 16-bit address given in the operand based on the specified flag of the PSW as described below. Before the transfer, the address of the next instruction after the call (the contents of the program counter) is pushed onto the stack.
Example: CZ 2034 or CZ XYZ

Opcode	Description	Flag Status
CC	Call on Carry	CY = 1
CNC	Call on no Carry	CY = 0
CP	Call on positive	S = 0
CM	Call on minus	S = 1
CZ	Call on zero	Z = 1
CNZ	Call on no zero	Z = 0
CPE	Call on parity even	P = 1
CPO	Call on parity odd	P = 0

Return from subroutine unconditionally

RET none

The program sequence is transferred from the subroutine to the calling program. The two bytes from the top of the stack are copied into the program counter, and program execution begins at the new address.
Example: RET

Return from subroutine conditionally

Operand: none

The program sequence is transferred from the subroutine to the calling program based on the specified flag of the PSW as described below. The two bytes from the top of the stack are copied into the program counter, and program execution begins at the new address.
Example: RZ

Opcode	Description	Flag Status
RC	Return on Carry	CY = 1
RNC	Return on no Carry	CY = 0
RP	Return on positive	S = 0
RM	Return on minus	S = 1
RZ	Return on zero	Z = 1
RNZ	Return on no zero	Z = 0
RPE	Return on parity even	P = 1
RPO	Return on parity odd	P = 0

Load program counter with HL contents

PCHL none The contents of registers H and L are copied into the program counter. The contents of H are placed as the high-order byte and the contents of L as the low-order byte.
Example: PCHL

Restart

RST 0-7 The RST instruction is equivalent to a 1-byte call instruction to one of eight memory locations depending upon the number. The instructions are generally used in conjunction with interrupts and inserted using external hardware. However these can be used as software instructions in a program to transfer program execution to one of the eight locations. The addresses are:

Instruction	Restart Address
RST 0	0000H
RST 1	0008H
RST 2	0010H
RST 3	0018H
RST 4	0020H
RST 5	0028H
RST 6	0030H
RST 7	0038H

The 8085 has four additional interrupts and these interrupts generate RST instructions internally and thus do not require any external hardware. These instructions and their Restart addresses are:

Interrupt	Restart Address
TRAP	0024H
RST 5.5	002CH
RST 6.5	0034H
RST 7.5	003CH

LOGICAL INSTRUCTIONS

Opcode Operand Description

Compare register or memory with accumulator

CMP R The contents of the operand (register or memory) are compared with the contents of the accumulator. Both contents are preserved. The result of the comparison is shown by setting the flags of the PSW as follows:
if (A) < (reg/mem): carry flag is set, s=1
if (A) = (reg/mem): zero flag is set, s=0
if (A) > (reg/mem): carry and zero flags are reset, s=0
Example: CMP B or CMP M

Compare immediate with accumulator

CPI 8-bit data The second byte (8-bit data) is compared with the contents of the accumulator. The values being compared remain unchanged. The result of the comparison is shown by setting the flags of the PSW as follows:
if (A) < data: carry flag is set, s=1
if (A) = data: zero flag is set, s=0
if (A) > data: carry and zero flags are reset, s=0
Example: CPI 89

Logical AND register or memory with accumulator

ANA R The contents of the accumulator are logically ANDed with the contents of the operand (register or memory), and the result is placed in the accumulator. If the operand is a memory location, its address is specified by the contents of HL registers. S, Z, P are modified to reflect the result of the operation. CY is reset. AC is set.
Example: ANA B or ANA M

Logical AND immediate with accumulator

ANI 8-bit data The contents of the accumulator are logically ANDed with the 8-bit data (operand) and the result is placed in the accumulator. S, Z, P are modified to reflect the result of the operation. CY is reset. AC is set.
Example: ANI 86

Exclusive OR register or memory with accumulator

XRA R
 M

The contents of the accumulator are Exclusive ORed with the contents of the operand (register or memory), and the result is placed in the accumulator. If the operand is a memory location, its address is specified by the contents of HL registers. S, Z, P are modified to reflect the result of the operation. CY and AC are reset.
Example: XRA B or XRA M

Exclusive OR immediate with accumulator

XRI 8-bit data

The contents of the accumulator are Exclusive ORed with the 8-bit data (operand) and the result is placed in the accumulator. S, Z, P are modified to reflect the result of the operation. CY and AC are reset.
Example: XRI 86

Logical OR register or memory with accumulaotr

ORA R
 M

The contents of the accumulator are logically ORed with the contents of the operand (register or memory), and the result is placed in the accumulator. If the operand is a memory location, its address is specified by the contents of HL registers. S, Z, P are modified to reflect the result of the operation. CY and AC are reset.
Example: ORA B or ORA M

Logical OR immediate with accumulator

ORI 8-bit data

The contents of the accumulator are logically ORed with the 8-bit data (operand) and the result is placed in the accumulator. S, Z, P are modified to reflect the result of the operation. CY and AC are reset.
Example: ORI 86

Rotate accumulator left

RLC none

Each binary bit of the accumulator is rotated left by one position. Bit D7 is placed in the position of D0 as well as in the Carry flag. CY is modified according to bit D7. S, Z, P, AC are not affected.
Example: RLC

Rotate accumulator right

RRC none

Each binary bit of the accumulator is rotated right by one position. Bit D0 is placed in the position of D7 as well as in the Carry flag. CY is modified according to bit D0. S, Z, P, AC are not affected.
Example: RRC

Rotate accumulator left through carry		
RAL	none	Each binary bit of the accumulator is rotated left by one position through the Carry flag. Bit D7 is placed in the Carry flag, and the Carry flag is placed in the least significant position D0. CY is modified according to bit D7. S, Z, P, AC are not affected. Example: RAL
Rotate accumulator right through carry		
RAR	none	Each binary bit of the accumulator is rotated right by one position through the Carry flag. Bit D0 is placed in the Carry flag, and the Carry flag is placed in the most significant position D7. CY is modified according to bit D0. S, Z, P, AC are not affected. Example: RAR
Complement accumulator		
CMA	none	The contents of the accumulator are complemented. No flags are affected. Example: CMA
Complement carry		
CMC	none	The Carry flag is complemented. No other flags are affected. Example: CMC
Set Carry		
STC	none	The Carry flag is set to 1. No other flags are affected. Example: STC

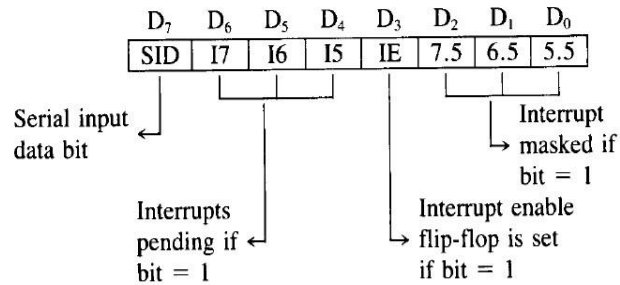
CONTROL INSTRUCTIONS

Opcode	Operand	Description
No operation		
NOP	none	No operation is performed. The instruction is fetched and decoded. However no operation is executed. Example: NOP
Halt and enter wait state		
HLT	none	The CPU finishes executing the current instruction and halts any further execution. An interrupt or reset is necessary to exit from the halt state. Example: HLT
Disable interrupts		
DI	none	The interrupt enable flip-flop is reset and all the interrupts except the TRAP are disabled. No flags are affected. Example: DI
Enable interrupts		
EI	none	The interrupt enable flip-flop is set and all interrupts are enabled. No flags are affected. After a system reset or the acknowledgement of an interrupt, the interrupt enable flip-flop is reset, thus disabling the interrupts. This instruction is necessary to reenable the interrupts (except TRAP). Example: EI

Read interrupt mask
RIM none

This is a multipurpose instruction used to read the status of interrupts 7.5, 6.5, 5.5 and read serial data input bit. The instruction loads eight bits in the accumulator with the following interpretations.

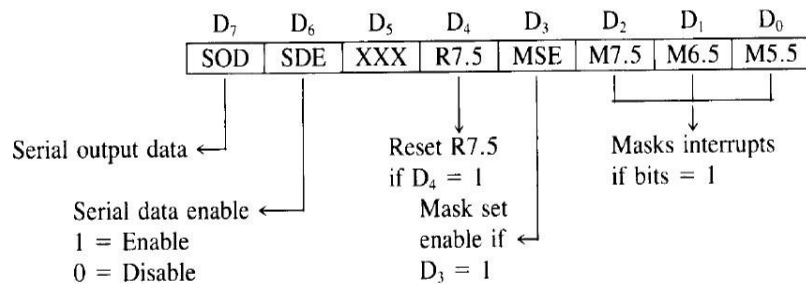
Example: RIM



Set interrupt mask
SIM none

This is a multipurpose instruction and used to implement the 8085 interrupts 7.5, 6.5, 5.5, and serial data output. The instruction interprets the accumulator contents as follows.

Example: SIM



- SOD—Serial Output Data: Bit D₇ of the accumulator is latched into the SOD output line and made available to a serial peripheral if bit D₆ = 1.
- SDE—Serial Data Enable: If this bit = 1, it enables the serial output. To implement serial output, this bit needs to be enabled.
- XXX—Don't Care
- R7.5—Reset RST 7.5: If this bit = 1, RST 7.5 flip-flop is reset. This is an additional control to reset RST 7.5.
- MSE—Mask Set Enable: If this bit is high, it enables the functions of bits D₂, D₁, D₀. This is a master control over all the interrupt masking bits. If this bit is low, bits D₂, D₁, and D₀ do not have any effect on the masks.
- M7.5—D₂ = 0, RST 7.5 is enabled.
= 1, RST 7.5 is masked or disabled.
- M6.5—D₁ = 0, RST 6.5 is enabled.
= 1, RST 6.5 is masked or disabled.
- M5.5—D₀ = 0, RST 5.5 is enabled.
= 1, RST 5.5 is masked or disabled.

6. INSTRUCTION EXECUTION AND TIMING DIAGRAM:

Each instruction in 8085 microprocessor consists of two part- operation code (Opcode) and operand. The Opcode is a command such as ADD and the operand is an object to be operated on, such as a byte or the content of a register.

Instruction Cycle: The time taken by the processor to complete the execution of an instruction. An instruction cycle consists of one to six machine cycles.

Machine Cycle: The time required to complete one operation; accessing either the memory or I/O device. A machine cycle consists of three to six T-states.

T-State: Time corresponding to one clock period. It is the basic unit to calculate execution of instructions or programs in a processor.

To execute a program, 8085 performs various operations as:

- Opcode fetch
- Operand fetch
- Memory read/write
- I/O read/write

External communication functions are:

- Memory read/write
- I/O read/write
- Interrupt request acknowledge

Opcode Fetch Machine Cycle:

It is the first step in the execution of any instruction. The timing diagram of this cycle is given in Fig. 7.

The following points explain the various operations that take place and the signals that are changed during the execution of opcode fetch machine cycle:

T1 clock cycle

- i. The content of PC is placed in the address bus; AD0 - AD7 lines contains lower bit address and A8 – A15 contains higher bit address.
- ii. $\overline{\text{IO/M}}$ signal is low indicating that a memory location is being accessed. S1 and S0 also changed to the levels as indicated in Table 1.
- iii. ALE is high, indicates that multiplexed AD0 – AD7 act as lower order bus.

T2 clock cycle

- i. Multiplexed address bus is now changed to data bus.
- ii. The $\overline{\text{RD}}$ signal is made low by the processor. This signal makes the memory device load the data bus with the contents of the location addressed by the processor.

T3 clock cycle

- i. The opcode available on the data bus is read by the processor and moved to the instruction register.
- ii. The \overline{RD} signal is deactivated by making it logic 1.

T4 clock cycle

- i. The processor decodes the instruction in the instruction register and generate the necessary control signals to execute the instruction. Based on the instruction further operations such as fetching, writing into memory etc takes place.

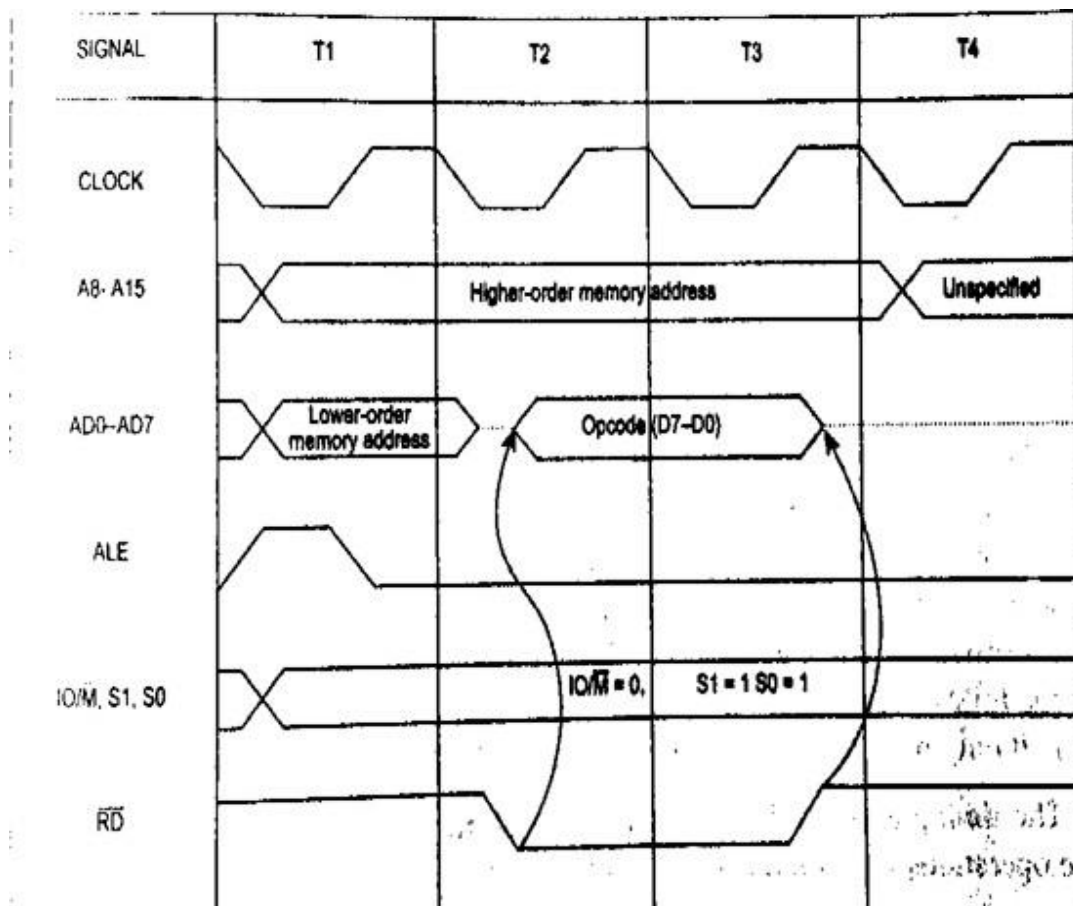


Fig. 7 Timing diagram for Opcode fetch cycle

Memory Read Machine Cycle:

The memory read cycle is executed by the processor to read a data byte from memory. The machine cycle is exactly same to Opcode fetch except: a) It has three T-states b) The S0 signal is set to 0. The timing diagram of this cycle is given in Fig. 8.

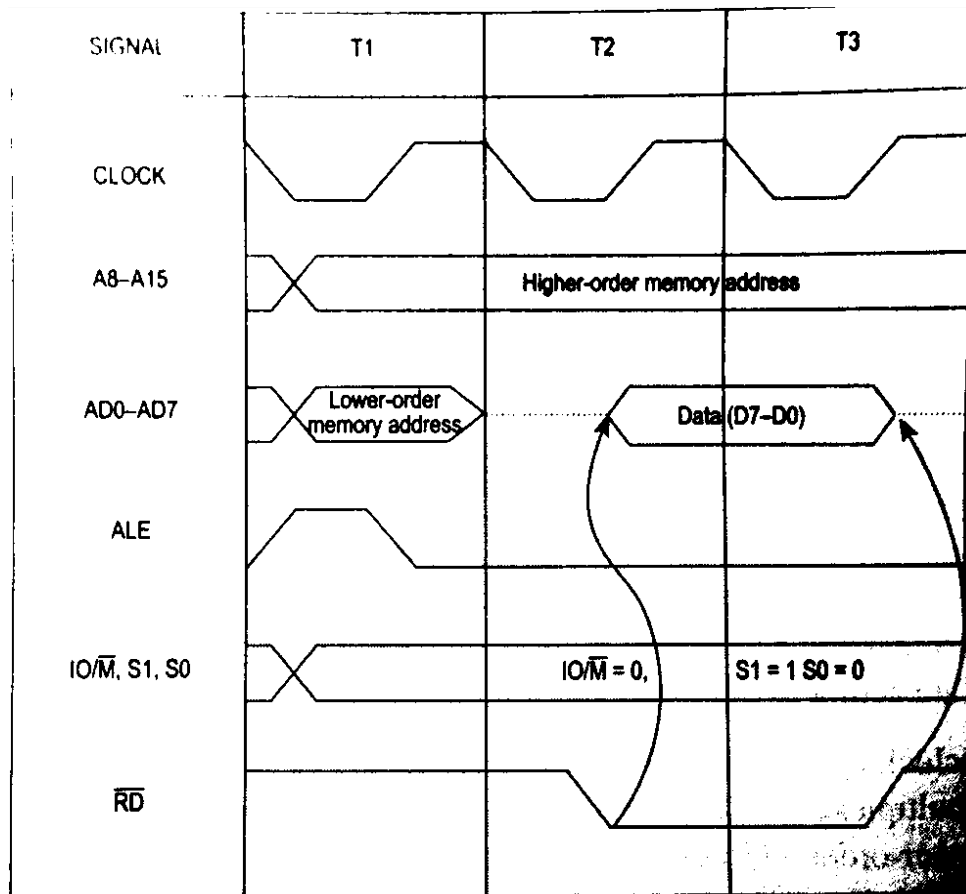


Fig. 8 Timing diagram for memory read machine cycle

Memory Write Machine Cycle:

The memory write cycle is executed by the processor to write a data byte in a memory location. The processor takes three T-states and \overline{WR} signal is made low. The timing diagram of this cycle is given in Fig. 9.

I/O Read Cycle:

The I/O read cycle is executed by the processor to read a data byte from I/O port or from peripheral, which is I/O mapped in the system. The 8-bit port address is placed both in the lower and higher order address bus. The processor takes three T-states to execute this machine cycle. The timing diagram of this cycle is given in Fig. 10.

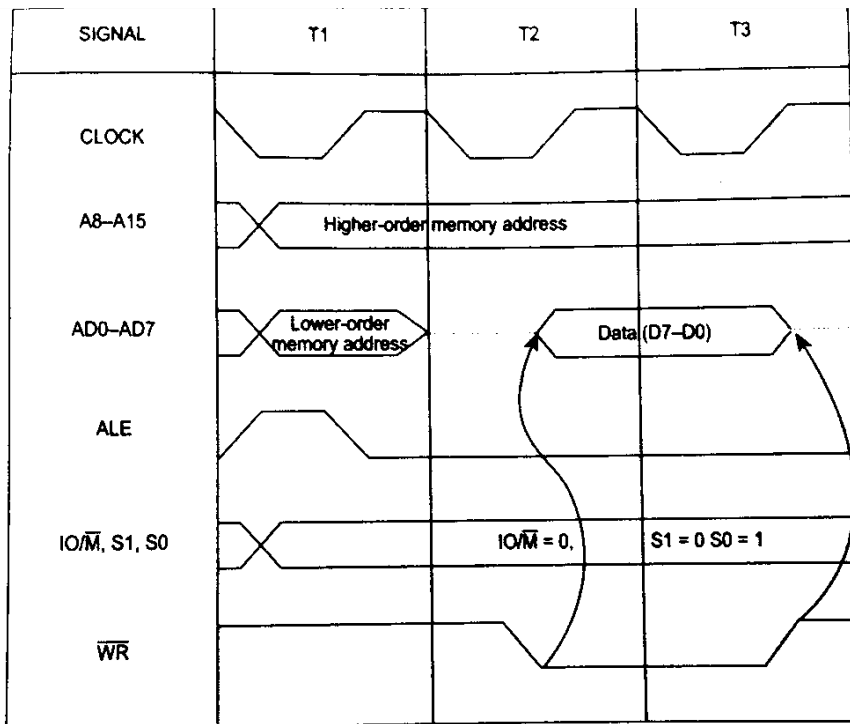


Fig. 9 Timing diagram for memory write machine cycle

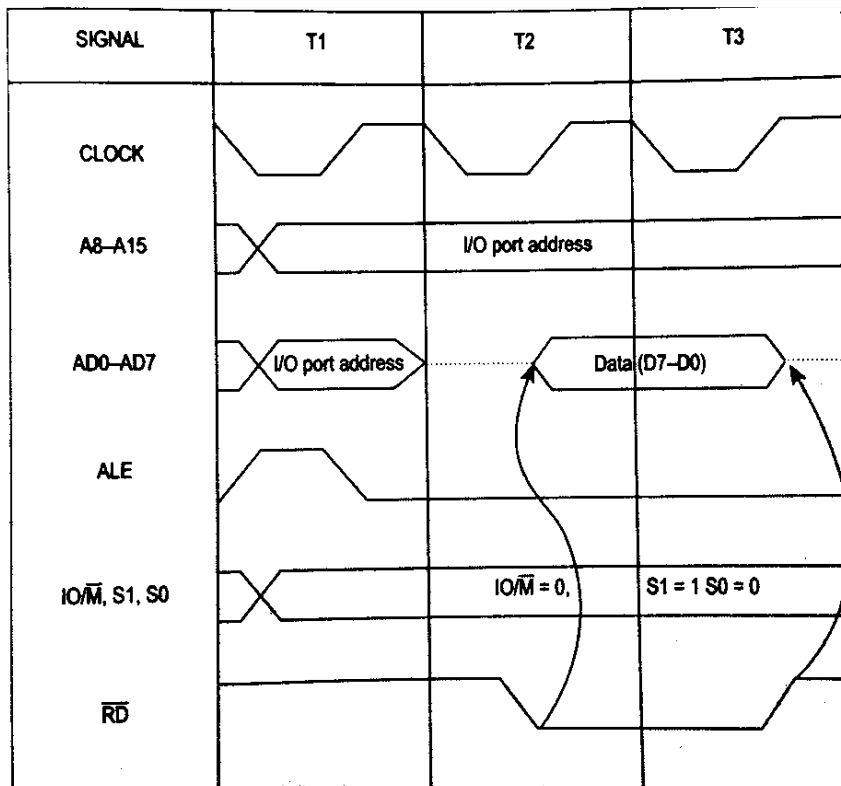


Fig. 10 Timing diagram I/O read machine cycle

I/O Write Cycle:

The I/O write cycle is executed by the processor to write a data byte to I/O port or to a peripheral, which is I/O mapped in the system. The processor takes three T-states to execute this machine cycle. The timing diagram of this cycle is given in Fig. 11.

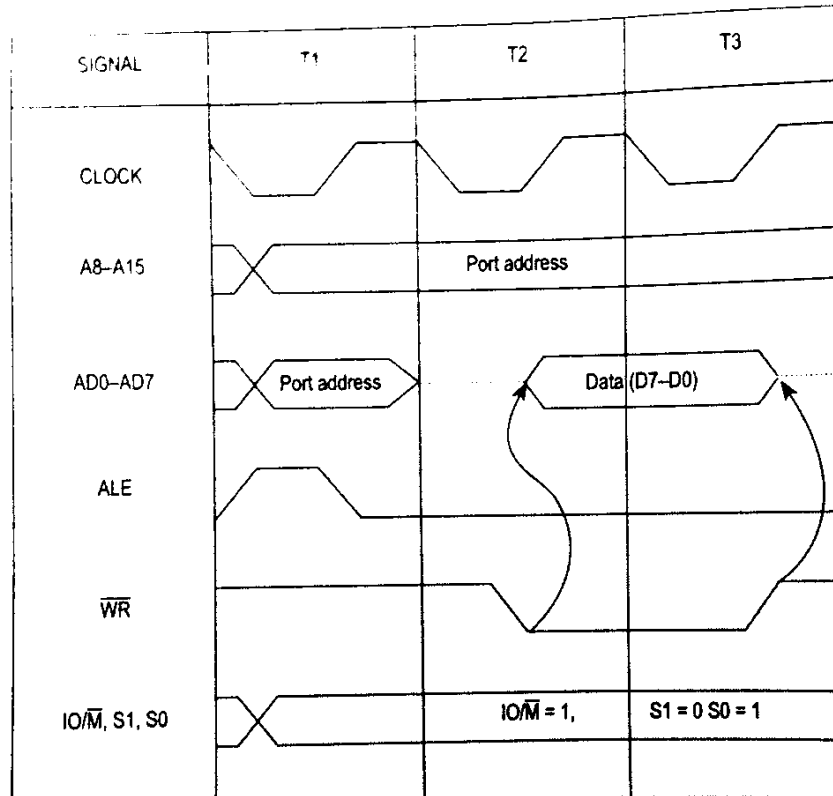


Fig. 11 Timing diagram I/O write machine cycle

Ex: Timing diagram for IN 80H.

The instruction and the corresponding codes and memory locations are given in Table 5.

Table 5 IN instruction

Address	Mnemonics	Opcode
800F	IN 80H	DB
8010		80

- During the first machine cycle, the opcode DB is fetched from the memory, placed in the instruction register and decoded.
- During second machine cycle, the port address 80H is read from the next memory location.
- During the third machine cycle, the address 80H is placed in the address bus and the data read from that port address is placed in the accumulator.

The timing diagram is shown in Fig. 12.

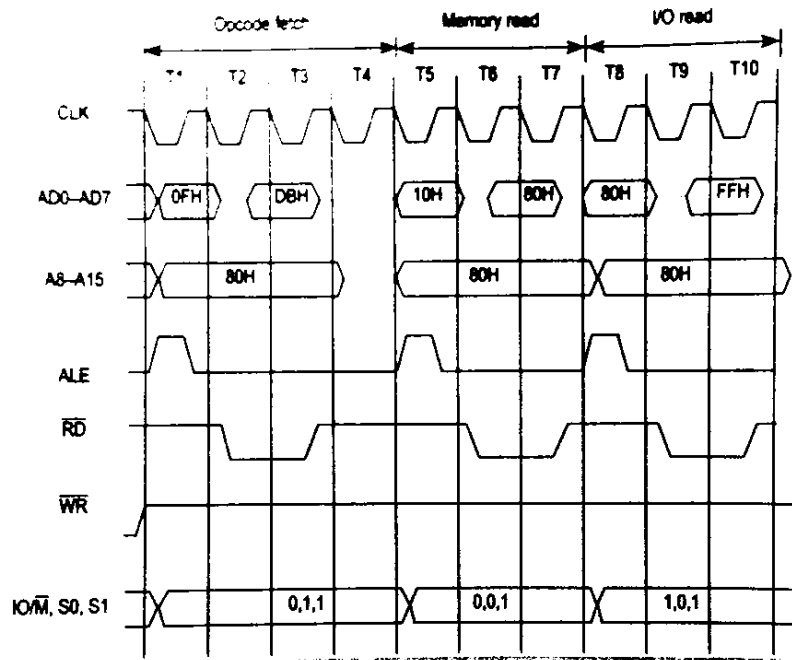


Fig. 12 Timing diagram for the IN instruction

7. 8085 INTERRUPTS

Interrupt Structure:

Interrupt is the mechanism by which the processor is made to transfer control from its current program execution to another program having higher priority. The interrupt signal may be given to the processor by any external peripheral device.

The program or the routine that is executed upon interrupt is called interrupt service routine (ISR). After execution of ISR, the processor must return to the interrupted program. Key features in the interrupt structure of any microprocessor are as follows:

- i. Number and types of interrupt signals available.
- ii. The address of the memory where the ISR is located for a particular interrupt signal. This address is called interrupt vector address (IVA).
- iii. Masking and unmasking feature of the interrupt signals.
- iv. Priority among the interrupts.
- v. Timing of the interrupt signals.
- vi. Handling and storing of information about the interrupt program (status information).

Types of Interrupts:

Interrupts are classified based on their mask ability, IVA and source. They are classified as:

- i. Vectored and Non-Vectored Interrupts
 - Vectored interrupts require the IVA to be supplied by the external device that gives the interrupt signal. This technique is vectoring, is implemented in number of ways.
 - Non-vectored interrupts have fixed IVA for ISRs of different interrupt signals.
- ii. Maskable and Non-Maskable Interrupts
 - Maskable interrupts are interrupts that can be blocked. Masking can be done by software or hardware means.
 - Non-maskable interrupts are interrupts that are always recognized; the corresponding ISRs are executed.
- iii. Software and Hardware Interrupts
 - Software interrupts are special instructions, after execution transfer the control to predefined ISR.
 - Hardware interrupts are signals given to the processor, for recognition as an interrupt and execution of the corresponding ISR.

Interrupt Handling Procedure:

The following sequence of operations takes place when an interrupt signal is recognized:

- i. Save the PC content and information about current state (flags, registers etc) in the stack.
- ii. Load PC with the beginning address of an ISR and start to execute it.
- iii. Finish ISR when the return instruction is executed.
- iv. Return to the point in the interrupted program where execution was interrupted.

Interrupt Sources and Vector Addresses in 8085:

Software Interrupts:

8085 instruction set includes eight software interrupt instructions called Restart (RST) instructions. These are one byte instructions that make the processor execute a subroutine at predefined locations. Instructions and their vector addresses are given in Table 6.

Table 6 Software interrupts and their vector addresses

Instruction	Machine hex code	Interrupt Vector Address
RST 0	C7	0000H
RST 1	CF	0008H
RST 2	D7	0010H
RST 3	DF	0018H
RST 4	E7	0020H
RST 5	EF	0028H
RST 6	F7	0030H
RST 7	FF	0032H

The software interrupts can be treated as CALL instructions with default call locations. The concept of priority does not apply to software interrupts as they are inserted into the program as instructions by the programmer and executed by the processor when the respective program lines are read.

Hardware Interrupts and Priorities:

8085 have five hardware interrupts – INTR, RST 5.5, RST 6.5, RST 7.5 and TRAP. Their IVA and priorities are given in Table 7.

Table 7 Hardware interrupts of 8085

Interrupt	Interrupt vector address	Mask able or non-mask able	Edge or level triggered	priority
TRAP	0024H	Non-makeable	Level	1
RST 7.5	003CH	Mask able	Rising edge	2
RST 6.5	0034H	Mask able	Level	3
RST 5.5	002CH	Mask able	Level	4
INTR	Decided by hardware	Mask able	Level	5

Masking of Interrupts:

Masking can be done for four hardware interrupts INTR, RST 5.5, RST 6.5, and RST 7.5. The masking of 8085 interrupts is done at different levels. Fig. 13 shows the organization of hardware interrupts in the 8085.

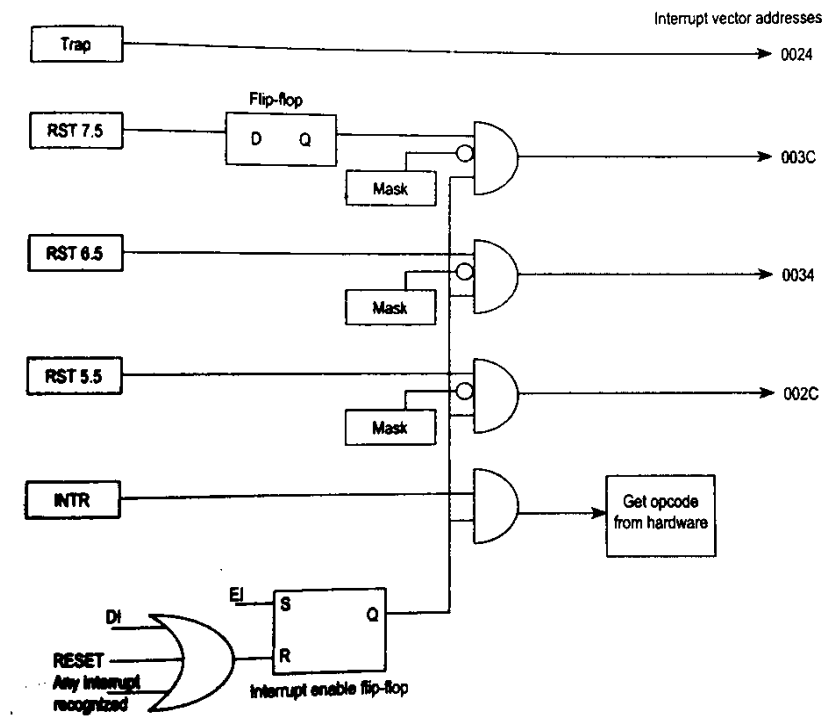


Fig. 13 Interrupt structure of 8085

The Fig. 13 is explained by the following five points:

- i. The mask able interrupts are by default masked by the Reset signal. So no interrupt is recognized by the hardware reset.
- ii. The interrupts can be enabled by the EI instruction.
- iii. The three RST interrupts can be selectively masked by loading the appropriate word in the accumulator and executing SIM instruction. This is called software masking.
- iv. All mask able interrupts are disabled whenever an interrupt is recognized.
- v. All mask able interrupts can be disabled by executing the DI instruction.

RST 7.5 alone has a flip-flop to recognize edge transition. The DI instruction reset interrupt enable flip-flop in the processor and the interrupts are disabled. To enable interrupts, EI instruction has to be executed.

SIM Instruction:

The SIM instruction is used to mask or unmask RST hardware interrupts. When executed, the SIM instruction reads the content of accumulator and accordingly mask or unmask the interrupts. The format of control word to be stored in the accumulator before executing SIM instruction is as shown in Fig. 14.

Bit position	D7	D6	D5	D4	D3	D2	D1	D0
Name	SOD	SDE	X	R7.5	MSE	M7.5	M6.5	M5.5
Explanation	Serial data to be sent	Serial data enable— set to 1 for sending	Not used	Reset RST 7.5 flip-flop	Mask set enable— Set to 1 to mask interrupts	Set to 1 to mask RST 7.5	Set to 1 to mask RST 6.5	Set to 1 to mask RST 5.5

Fig. 14 Accumulator bit pattern for SIM instruction

In addition to masking interrupts, SIM instruction can be used to send serial data on the SOD line of the processor. The data to be send is placed in the MSB bit of the accumulator and the serial data output is enabled by making D6 bit to 1.

RIM Instruction:

RIM instruction is used to read the status of the interrupt mask bits. When RIM instruction is executed, the accumulator is loaded with the current status of the interrupt masks and the pending interrupts. The format and the meaning of the data stored in the accumulator after execution of RIM instruction is shown in Fig. 15.

In addition RIM instruction is also used to read the serial data on the SID pin of the processor. The data on the SID pin is stored in the MSB of the accumulator after the execution of the RIM instruction.

Bit position	D7	D6	D5	D4	D3	D2	D1	D0
Name	SID	I7.5	I6.5	I5.5	IE	M7.5	M6.5	M5.5
Explanation	Serial input data in the SID pin	Set to 1 if RST 7.5 is pending	Set to 1 if RST 6.5 is pending	Set to 1 if RST 5.5 is pending	Set to 1 if interrupts are enabled	Set to 1 if RST 7.5 is masked	Set to 1 if RST 6.5 is masked	Set to 1 if RST 5.5 is masked

Fig. 15 Accumulator bit pattern after execution of RIM instruction

Ex: Write an assembly language program to enables all the interrupts in 8085 after reset.

EI : Enable interrupts

MVI A, 08H : Unmask the interrupts

SIM : Set the mask and unmask using SIM instruction

Timing of Interrupts:

The interrupts are sensed by the processor one cycle before the end of execution of each instruction. An interrupts signal must be applied long enough for it to be recognized. The longest instruction of the 8085 takes 18 clock periods. So, the interrupt signal must be applied for at least 17.5 clock periods. This decides the minimum pulse width for the interrupt signal.

The maximum pulse width for the interrupt signal is decided by the condition that the interrupt signal must not be recognized once again. This is under the control of the programmer.

QUESTIONS:

1. What is the function of a microprocessor in a system?
2. Why is the data bus in 8085 bidirectional?
3. How does microprocessor differentiate between data and instruction?
4. How long would the processor take to execute the instruction LDA 1753H if the T-state duration is $2\mu\text{s}$?
5. Draw the timing diagram of the instruction LDAX B.
6. Sketch and explain the various pins of the 8085.
7. Explain direct addressing mode of 8085 with an example?
8. Draw and explain the timing diagram of the instruction IN 82H.
9. What is meant by 'priority of the interrupts'? Explain the operation of the interrupts structure of the 8085, with the help of a circuit diagram.
10. Explain the bit pattern for SIM instruction. Write the assembly language program lines to enable all the interrupts in the 8085 after reset.
11. Write the logical instructions which affect and which does not affect flags in 8085.
12. Write an ALP in 8085 MPU to reject all the negative readings and add all the positive reading from a set of ten reading stored in memory locations starting at XX60H. When the sum exceeds eight bits produce output FFH to PORT1 to indicate overload otherwise display the sum.
13. Write an ALP in 8085 to eliminate the blanks (bytes with zero value) from a string of eight data bytes. Use two memory pointers: one to get a byte and the other to store the byte.
14. Design an up-down counter to count from 0 to 9 and 9 to 0 continuously with a 1.5 second delay between each count, and display the count at one of the output ports.

MODULE: 2

1. INTERFACING MEMORY AND I/O DEVICES WITH 8085

The programs and data that are executed by the microprocessor have to be stored in ROM/EPROM and RAM, which are basically semiconductor memory chips. The programs and data that are stored in ROM/EPROM are not erased even when power supply to the chip is removed. Hence, they are called non-volatile memory. They can be used to store permanent programs.

In a RAM, stored programs and data are erased when the power supply to the chip is removed. Hence, RAM is called volatile memory. RAM can be used to store programs and data that include, programs written during software development for a microprocessor based system, program written when one is learning assembly language programming and data enter while testing these programs.

Input and output devices, which are interfaced with 8085, are essential in any microprocessor based system. They can be interfaced using two schemes: I/O mapped I/O and memory-mapped I/O. In the I/O mapped I/O scheme, the I/O devices are treated differently from memory. In the memory-mapped I/O scheme, each I/O device is assumed to be a memory location.

2. INTERFACING MEMORY CHIPS WITH 8085

8085 has 16 address lines (A0 - A15), hence a maximum of 64 KB ($= 2^{16}$ bytes) of memory locations can be interfaced with it. The memory address space of the 8085 takes values from 0000H to FFFFH.

The 8085 initiates set of signals such as $\overline{\text{IO/M}}$, $\overline{\text{RD}}$ and $\overline{\text{WR}}$ when it wants to read from and write into memory. Similarly, each memory chip has signals such as $\overline{\text{CE}}$ or $\overline{\text{CS}}$ (chip enable or chip select), $\overline{\text{OE}}$ or $\overline{\text{RD}}$ (output enable or read) and $\overline{\text{WE}}$ or $\overline{\text{WR}}$ (write enable or write) associated with it.

Generation of Control Signals for Memory:

When the 8085 wants to read from and write into memory, it activates $\overline{\text{IO/M}}$, $\overline{\text{RD}}$ and $\overline{\text{WR}}$ signals as shown in Table 8.

Table 8 Status of $\overline{\text{IO/M}}$, $\overline{\text{RD}}$ and $\overline{\text{WR}}$ signals during memory read and write operations

$\overline{\text{IO/M}}$	$\overline{\text{RD}}$	$\overline{\text{WR}}$	Operation
0	0	1	8085 reads data from memory
0	1	0	8085 writes data into memory

Using $\overline{\text{IO/M}}$, $\overline{\text{RD}}$ and $\overline{\text{WR}}$ signals, two control signals $\overline{\text{MEMR}}$ (memory read) and $\overline{\text{MEMW}}$ (memory write) are generated. Fig. 16 shows the circuit used to generate these signals.

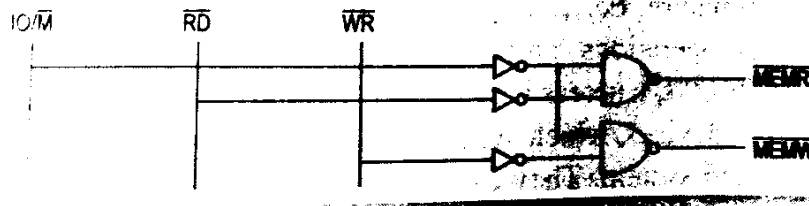


Fig. 16 Circuit used to generate $\overline{\text{MEMR}}$ and $\overline{\text{MEMW}}$ signals

When is $\overline{\text{IO/M}}$ high, both memory control signals are deactivated irrespective of the status of $\overline{\text{RD}}$ and $\overline{\text{WR}}$ signals.

Ex: Interface an IC 2764 with 8085 using NAND gate address decoder such that the address range allocated to the chip is 0000H – 1FFFH.

Specification of IC 2764:

- 8 KB (8×2^{10} byte) EPROM chip
- 13 address lines (2^{13} bytes = 8 KB)

Interfacing:

- 13 address lines of IC are connected to the corresponding address lines of 8085.
- Remaining address lines of 8085 are connected to address decoder formed using logic gates, the output of which is connected to the $\overline{\text{CE}}$ pin of IC.
- Address range allocated to the chip is shown in Table 9.
- Chip is enabled whenever the 8085 places an address allocated to EPROM chip in the address bus. This is shown in Fig. 17.

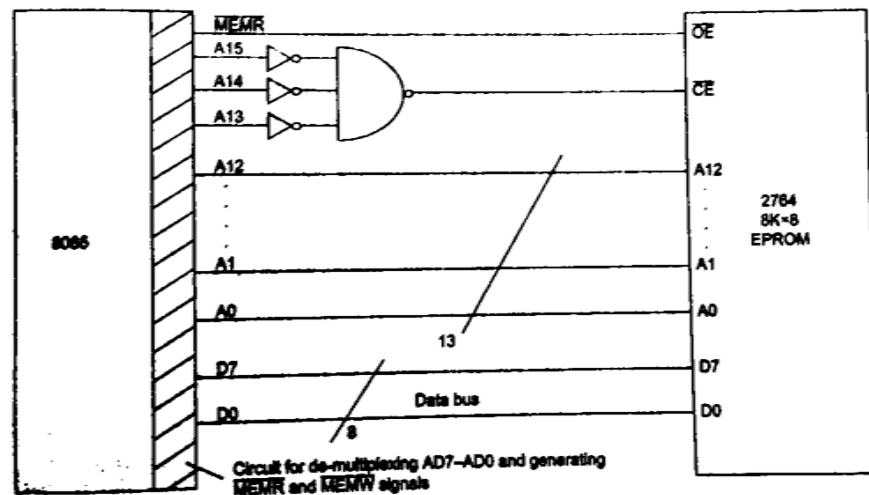


Fig. 17 Interfacing IC 2764 with the 8085

Table 9 Address allocated to IC 2764

A15	A14	A13	A12	A11	A10	A9	A8	A7	A6	A5	A4	A3	A2	A1	A0	Address
0	0	0	0	0	0	0	0	0	0	0	0	0	0	0	0	0000H
0	0	0	0	0	0	0	0	0	0	0	0	0	0	0	1	0001H
.
.
0	0	0	1	1	1	1	1	1	1	1	1	1	1	1	0	1FFEH
0	0	0	1	1	1	1	1	1	1	1	1	1	1	1	1	1FFFH

Ex: Interface a 6264 IC (8K x 8 RAM) with the 8085 using NAND gate decoder such that the starting address assigned to the chip is 4000H.

Specification of IC 6264:

- 8K x 8 RAM
- 8 KB = 2^{13} bytes
- 13 address lines

The ending address of the chip is 5FFFH (since $4000H + 1FFFH = 5FFFH$). When the address 4000H to 5FFFH are written in binary form, the values in the lines A15, A14, A13 are 0, 1 and 0 respectively. The NAND gate is designed such that when the lines A15 and A13 carry 0 and A14 carries 1, the output of the NAND gate is 0. The NAND gate output is in turn connected to the $\overline{CE1}$ pin of the RAM chip. A NAND output of 0 selects the RAM chip for read or write operation, since CE2 is already 1 because of its connection to +5V. Fig. 18 shows the interfacing of IC 6264 with the 8085.

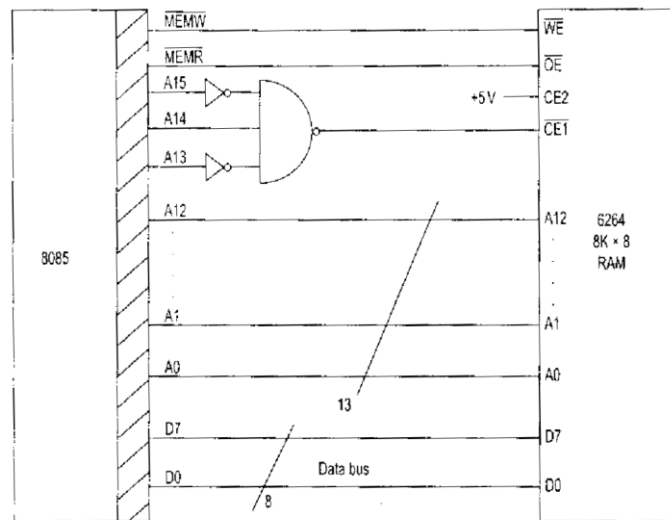


Fig. 18 Interfacing 6264 IC with the 8085

Ex: Interface two 6116 ICs with the 8085 using 74LS138 decoder such that the starting addresses assigned to them are 8000H and 9000H, respectively.

Specification of IC 6116:

- 2 K x 8 RAM
- 2 KB = 2^{11} bytes
- 11 address lines

6116 has 11 address lines and since 2 KB, therefore ending addresses of 6116 chip 1 is and chip 2 are 87FFH and 97FFH, respectively. Table 10 shows the address range of the two chips.

Table 10 Address range for IC 6116

A15	A14	A13	A12	A11	A10	A9	A8	A7	A6	A5	A4	A3	A2	A1	A0	Address
1	0	0	0	0	0	0	0	0	0	0	0	0	0	0	0	8000H
.
1	0	0	0	0	1	1	1	1	1	1	1	1	1	1	1	87FFH (RAM chip 1)
1	0	0	1	0	0	0	0	0	0	0	0	0	0	0	0	9000H
.
1	0	0	1	0	1	1	1	1	1	1	1	1	1	1	1	97FFH (RAM chip 2)

Interfacing:

- Fig. 19 shows the interfacing.
- A0 – A10 lines of 8085 are connected to 11 address lines of the RAM chips.
- Three address lines of 8085 having specific value for a particular RAM are connected to the three select inputs (C, B and A) of 74LS138 decoder.
- Table 10 shows that A13=A12=A11=0 for the address assigned to RAM 1 and A13=0, A12=1 and A11=0 for the address assigned to RAM 2.
- Remaining lines of 8085 which are constant for the address range assigned to the two RAM are connected to the enable inputs of decoder.
- When 8085 places any address between 8000H and 87FFH in the address bus, the select inputs C, B and A of the decoder are all 0. The Y0 output of the decoder is also 0, selecting RAM 1.
- When 8085 places any address between 9000H and 97FFH in the address bus, the select inputs C, B and A of the decoder are 0, 1 and 0. The Y2 output of the decoder is also 0, selecting RAM 2.

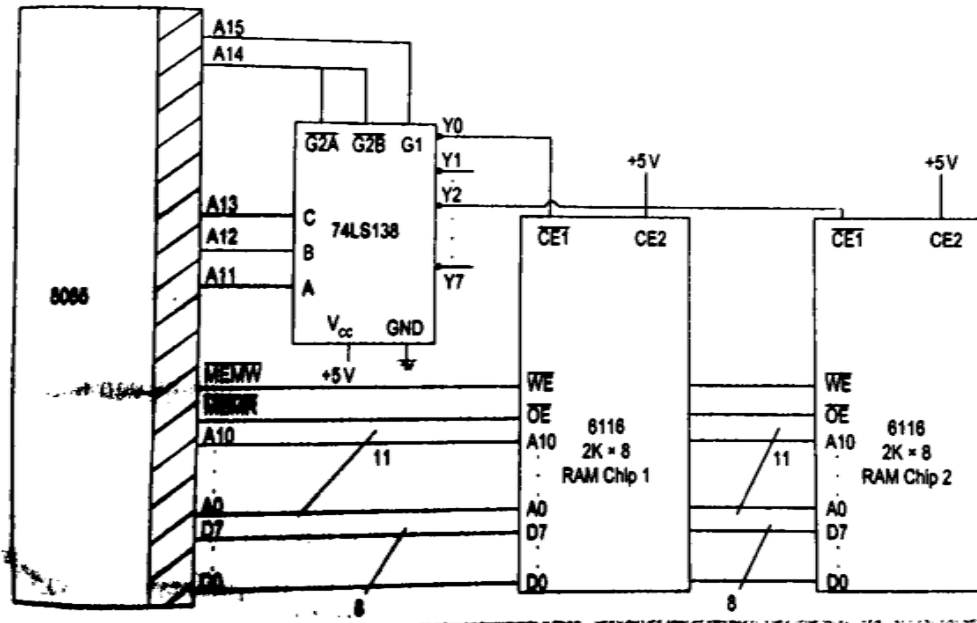


Fig. 19 Interfacing two 6116 RAM chips using 74LS138 decoder

3. PERIPHERAL MAPPED I/O INTERFACING

In this method, the I/O devices are treated differently from memory chips. The control signals I/O read (\overline{IOR}) and I/O write (\overline{IOW}), which are derived from the $\overline{IO/M}$, \overline{RD} and \overline{WR} signals of the 8085, are used to activate input and output devices, respectively. Generation of these control signals is shown in Fig. 20. Table 11 shows the status of $\overline{IO/M}$, \overline{RD} and \overline{WR} signals during I/O read and I/O write operation.

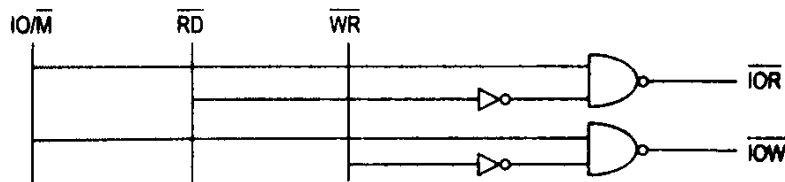


Fig. 20 Generation of \overline{IOR} and \overline{IOW} signals

IN instruction is used to access input device and OUT instruction is used to access output device. Each I/O device is identified by a unique 8-bit address assigned to it. Since the control signals used to access input and output devices are different, and all I/O device use 8-bit address, a maximum of 256 (2^8) input devices and 256 output devices can be interfaced with 8085.

Table 11 Status of \overline{IOR} and \overline{IOW} signals in 8085.

$\overline{IO/M}$	\overline{RD}	\overline{WR}	\overline{IOR}	\overline{IOW}	Operation
1	0	1	0	1	I/O read operation
1	1	0	1	0	I/O write operation
0	X	X	1	1	Memory read or write operation

Ex: Interface an 8-bit DIP switch with the 8085 such that the address assigned to the DIP switch is F0H.

IN instruction is used to get data from DIP switch and store it in accumulator. Steps involved in the execution of this instruction are:

- i. Address F0H is placed in the lines A0 – A7 and a copy of it in lines A8 – A15.
- ii. The $\overline{\text{IOR}}$ signal is activated ($\overline{\text{IOR}} = 0$), which makes the selected input device to place its data in the data bus.
- iii. The data in the data bus is read and store in the accumulator.

Fig. 21 shows the interfacing of DIP switch.

A7	A6	A5	A4	A3	A2	A1	A0	
1	1	1	1	0	0	0	0	= F0H

A0 – A7 lines are connected to a NAND gate decoder such that the output of NAND gate is 0. The output of NAND gate is ORed with the $\overline{\text{IOR}}$ signal and the output of OR gate is connected to $\overline{\text{IG}}$ and $\overline{\text{2G}}$ of the 74LS244. When 74LS244 is enabled, data from the DIP switch is placed on the data bus of the 8085. The 8085 read data and store in the Accumulator. Thus data from DIP switch is transferred to the accumulator.

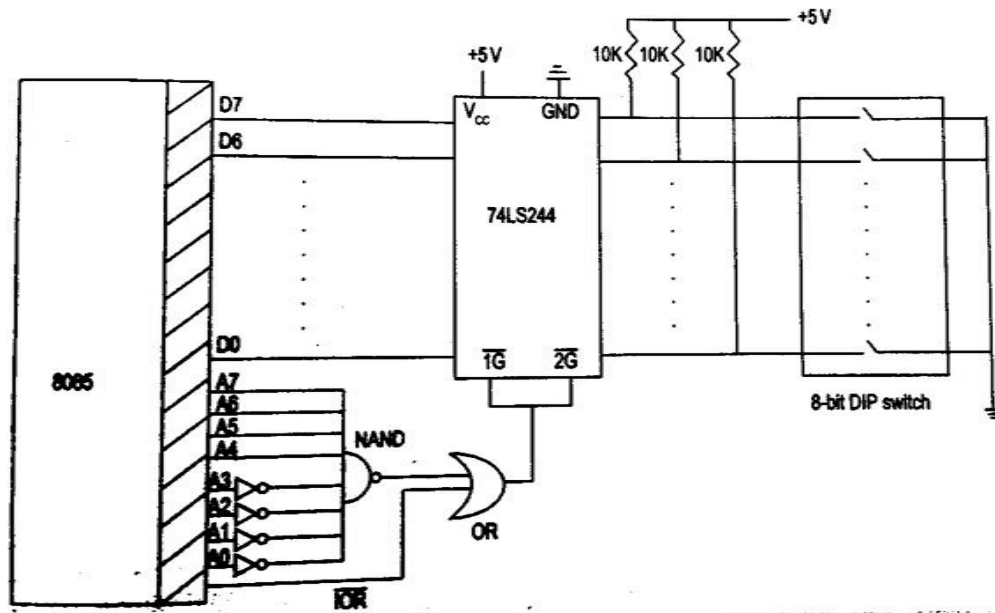


Fig. 21 interfacing of 8-bit DIP switch with 8085

4. MEMORY MAPPED I/O INTERFACING

In memory-mapped I/O, each input or output device is treated as if it is a memory location. The $\overline{\text{MEMR}}$ and $\overline{\text{MEMW}}$ control signals are used to activate the devices. Each input or output device is identified by unique 16-bit address, similar to 16-bit address assigned to memory location. All memory related instruction like LDA 2000H, LDAX B, MOV A, M can be used.

Since the I/O devices use some of the memory address space of 8085, the maximum memory capacity is lesser than 64 KB in this method.

Ex: Interface an 8-bit DIP switch with the 8085 using logic gates such that the address assigned to it is F0F0H.

Since a 16-bit address has to be assigned to a DIP switch, the memory-mapped I/O technique must be used. Using LDA F0F0H instruction, the data from the 8-bit DIP switch can be transferred to the accumulator. The steps involved are:

- i. The address F0F0H is placed in the address bus A0 – A15.
- ii. The MEMR signal is made low for some time.
- iii. The data in the data bus is read and stored in the accumulator.

Fig. 22 shows the interfacing diagram.

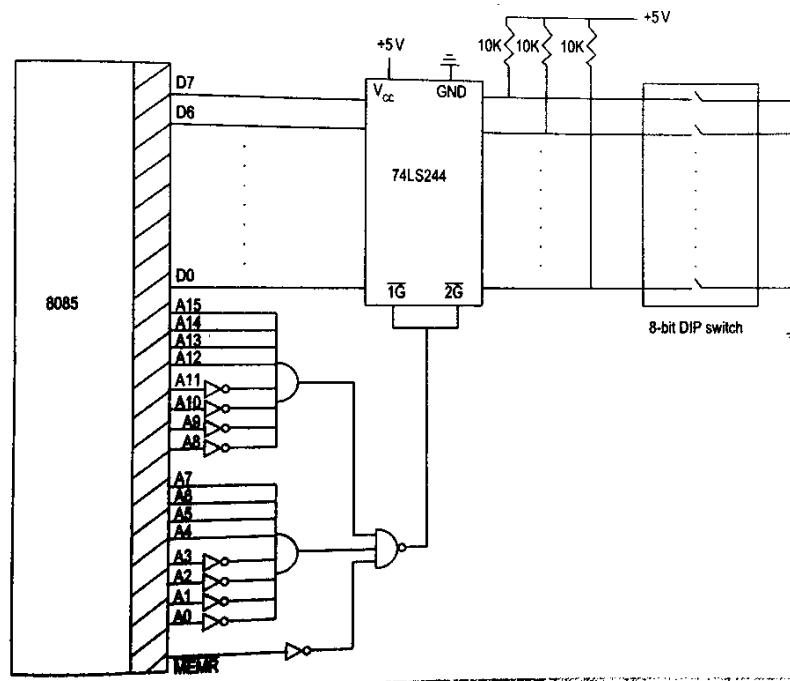


Fig. 22 Interfacing 8-bit DIP switch with 8085

When 8085 executes the instruction LDA F0F0H, it places the address F0F0H in the address lines A0 – A15 as:

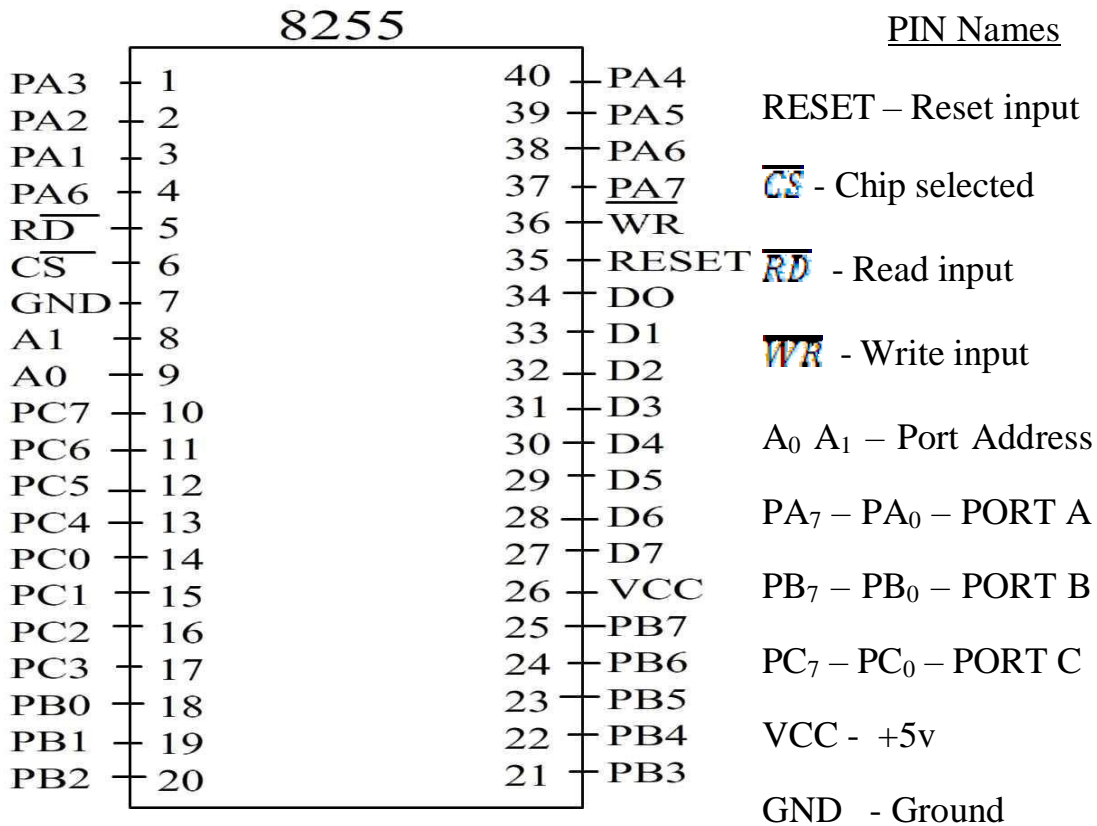
A15	A14	A13	A12	A11	A10	A9	A8	A7	A6	A5	A4	A3	A2	A1	A0	
1	1	1	1	0	0	0	0	1	1	1	1	0	0	0	0	= F0F0H

The address lines are connected to AND gates. The output of these gates along with MEMR signal are connected to a NAND gate, so that when the address F0F0H is placed in the address bus and $\overline{\text{MEMR}} = 0$ its output becomes 0, thereby enabling the buffer 74LS244. The data from the DIP switch is placed in the 8085 data bus. The 8085 reads the data from the data bus and stores it in the accumulator.

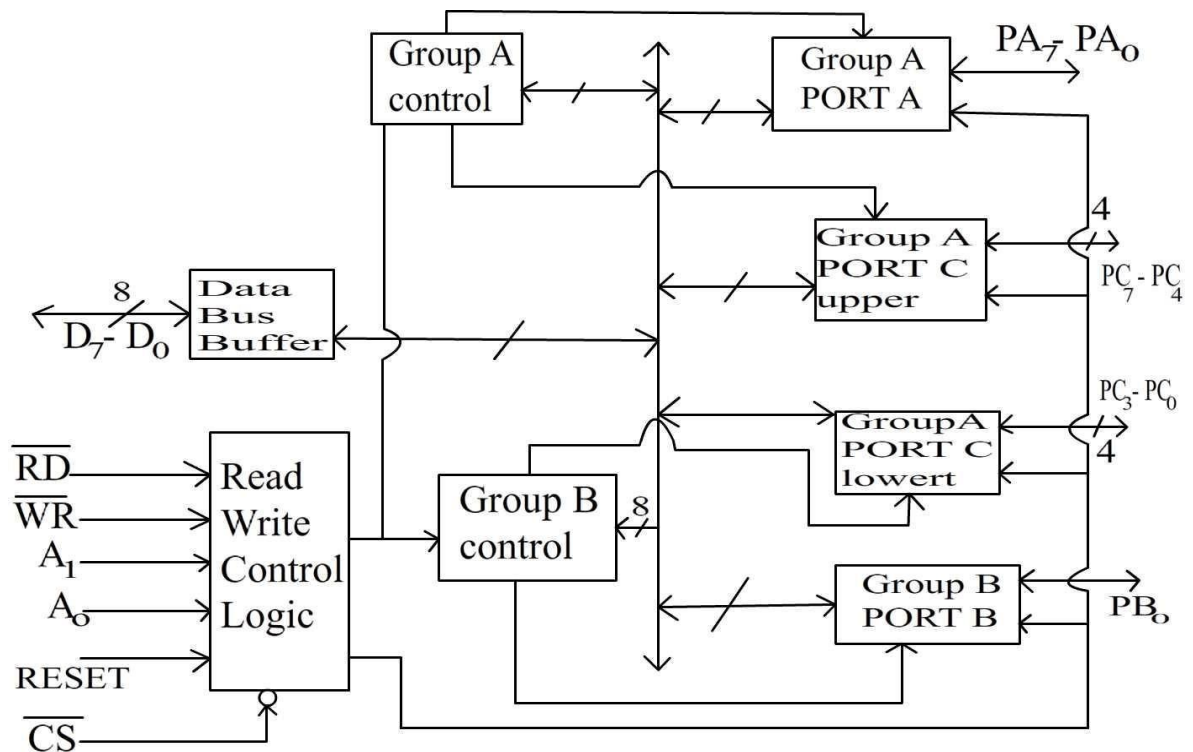
INTEL 8255: (Programmable Peripheral Interface)

The 8255A is a general purpose programmable I/O device designed for use with Intel microprocessors. It consists of three 8-bit bidirectional I/O ports (24 I/O lines) that can be configured to meet different system I/O needs. The three ports are PORT A, PORT B & PORT C. Port A contains one 8-bit output latch/buffer and one 8-bit input buffer. Port B is same as PORT A or PORT B. However, PORT C can be split into two parts PORT C lower (PC₀-PC₃) and PORT C upper (PC₇-PC₄) by the control word. The three ports are divided in two groups Group A (PORT A and upper PORT C) Group B (PORT B and lower PORT C). The two groups can be programmed in three different modes. In the first mode (mode 0), each group may be programmed in either input mode or output mode (PORT A, PORT B, PORT C lower, PORT C upper). In mode 1, the second's mode, each group may be programmed to have 8-lines of input or output (PORT A or PORT B) of the remaining 4-lines (PORT C lower or PORT C upper) 3-lines are used for hand shaking and interrupt control signals. The third mode of operation (mode 2) is a bidirectional bus mode which uses 8-line (PORT A only for a bidirectional bus and five lines (PORT C upper 4 lines and borrowing one from other group) for handshaking.

The 8255 is contained in a 40-pin package, whose pin out is shown below:



The block diagram is shown below:



Functional Description:

This support chip is a general purpose I/O component to interface peripheral equipment to the microcomputer system bus. It is programmed by the system software so that normally no external logic is necessary to interface peripheral devices or structures.

Data Bus Buffer:

It is a tri-state 8-bit buffer used to interface the chip to the system data bus. Data is transmitted or received by the buffer upon execution of input or output instructions by the CPU. Control words and status information are also transferred through the data bus buffer. The data lines are connected to BDB of p_4

Read/Write and logic control:

The function of this block is to control the internal operation of the device and to control the transfer of data and control or status words. It accepts inputs from the CPU address and control buses and in turn issues command to both the control groups.

\overline{CS} Chip Select:

A low on this input selects the chip and enables the communication between the 8255 A & the CPU. It is connected to the output of address decode circuitry to select the device when it \overline{RD} (Read). A low on this input enables the 8255 to send the data or status information to the CPU on the data bus.

WR (Write):

A low on this input pin enables the CPU to write data or control words into the 8255 A.

A₁, A₀ port select:

These input signals, in conjunction with the RD and WR inputs, control the selection of one of the three ports or the control word registers. They are normally connected to the least significant bits of the address bus (A₀ and A₁).

Following Table gives the basic operation,

A ₁	A ₀	<u>RD</u>	<u>WR</u>	<u>CS</u>	Input operation
0	0	0	1	0	PORT A → Data bus
0	1	0	1	0	PORT B → Data bus
1	0	0	1	0	PORT C → Data bus
					<u>Output operation</u>
0	0	1	0	0	Data bus → PORT A
0	1	1	0	0	Data bus → PORT B
1	0	1	0	0	Data bus → PORT C
1	1	1	0	0	Data bus → control

All other states put data bus into tri-state/illegal condition.

RESET:

A high on this input pin clears the control register and all ports (A, B & C) are initialized to input mode. This is connected to RESET OUT of 8255. This is done to prevent destruction of circuitry connected to port lines. If port lines are initialized as output after a power up or

reset, the port might try to output into the output of a device connected to same inputs might destroy one or both of them.

PORTs A, B and C:

The 8255A contains three 8-bit ports (A, B and C). All can be configured in a variety of functional characteristic by the system software.

PORTA:

One 8-bit data output latch/buffer and one 8-bit data input latch.

PORT B:

One 8-bit data output latch/buffer and one 8-bit data input buffer.

PORT C:

One 8-bit data output latch/buffer and one 8-bit data input buffer (no latch for input). This port can be divided into two 4-bit ports under the mode control. Each 4-bit port contains a 4-bit latch and it can be used for the control signal outputs and status signals inputs in conjunction with ports A and B.

Group A & Group B control:

The functional configuration of each port is programmed by the system software. The control words outputted by the CPU configure the associated ports of the each of the two groups. Each control block accepts command from Read/Write content logic receives control words from the internal data bus and issues proper commands to its associated ports.

Control Group A – Port A & Port C upper

Control Group B – Port B & Port C lower

The control word register can only be written into No read operation if the control word register is allowed.

Operation Description:

Mode selection:

There are three basic modes of operation that can be selected by the system software.

Mode 0: Basic Input/output

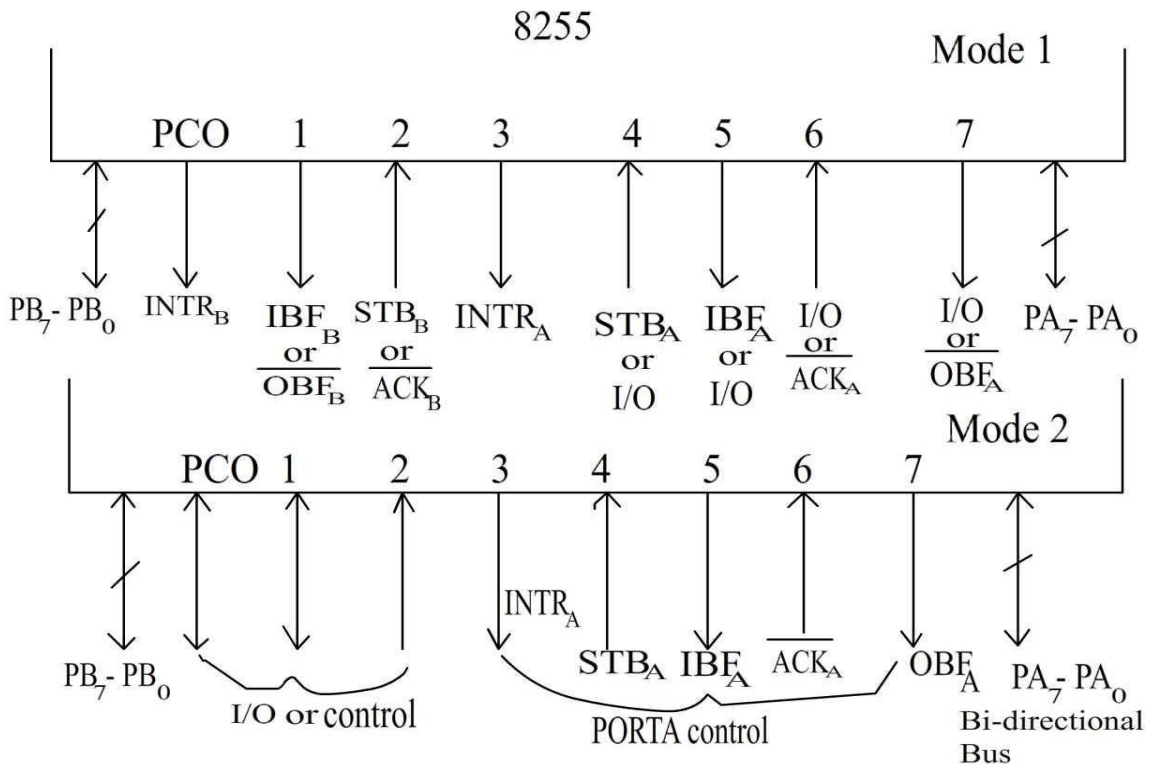
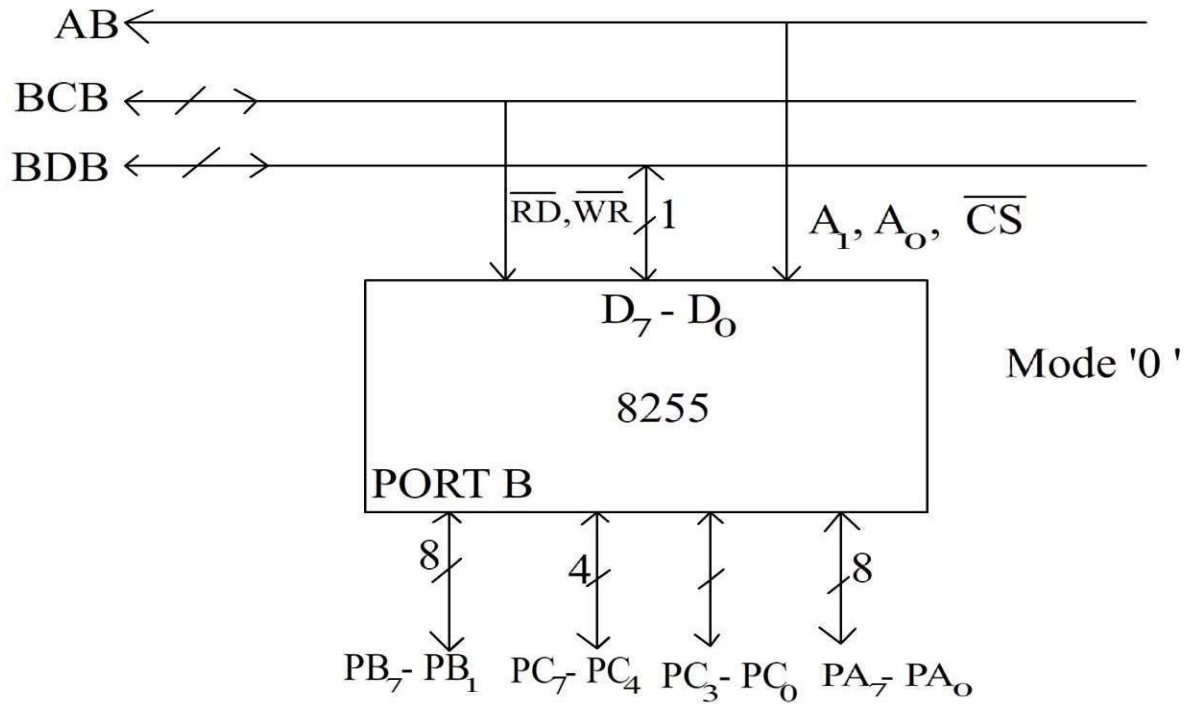
Mode 1: Strobes Input/output

Mode 2: Bi-direction bus.

When the reset input goes HIGH all ports are set to mode '0' as input which means all 24 lines are in high impedance state and can be used as normal input. After the reset is removed the 8255A remains in the input mode with no additional initialization. During the execution of the program any of the other modes may be selected using a single output instruction.

The modes for PORT A & PORT B can be separately defined, while PORT C is divided into two portions as required by the PORT A and PORT B definitions. The ports are thus divided into two groups Group A & Group B. All the output register, including the status flip-flop will be reset whenever the mode is changed. Modes of the two group may be combined for any desired I/O operation e.g. Group A in mode '1' and group B in mode '0'.

The basic mode definitions with bus interface and the mode definition format are given in fig (a) & (b),



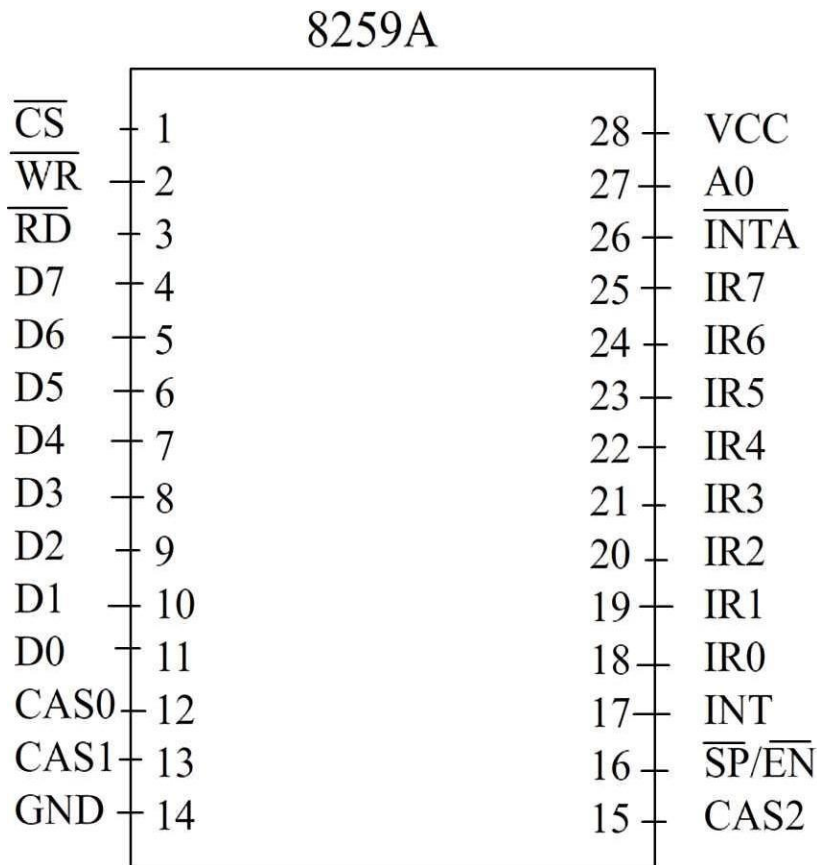
INTEL 8259A Programmable Interrupt Controller

The 8259A is a programmable interrupt controller designed to work with Intel microprocessor 8080 A, 8085, 8086, 8088. The 8259 A interrupt controller can

- 1) Handle eight interrupt inputs. This is equivalent to providing eight interrupt pins on the processor in place of one INTR/INT pin.
- 2) Vector an interrupt request anywhere in the memory map.
However, all the eight interrupt are spaced at the interval of either four or eight location. This eliminates the major drawback, 8085 interrupt, in which all interrupts are vectored to memory location on page 00_H.
- 3) Resolve eight levels of interrupt priorities in a variety of modes.
- 4) Mask each interrupt request individually.
- 5) Read the status of pending interrupts, in service interrupts, and masked interrupts.
- 6) Be set up to accept either the level triggered or edge triggered interrupt request.
- 7) Mine 8259 as can be cascade in a master slave configuration to handle 64 interrupt inputs.

The 8259 A is contained in a 28-element in line package that requires only a compatible with 8259. The main difference between the two is that the 8259 A can be used with Intel 8086/8088 processor. It also induces additional features such as level triggered mode, buffered

mode and automatic end of interrupt mode. The pin diagram and interval block diagram is shown below:



The pins are defined as follows:

\overline{CS} : Chip select

To access this chip, \overline{CS} is made low. A LOW on this pin enables \overline{RD} & \overline{WR} communication between the CPU and the 8259A. This pin is connected to address bus through the decoder logic circuits. INTA functions are independent of \overline{CS}

\overline{WR} :

A low on this pin. When \overline{CS} is low enables the 8259 A to accept command words from CPU.

\overline{AD} :

A low on this pin when \overline{CS} is low enables these 8259 A to release status on to the data bus for the CPU. The status includes the contents of IMR, ISR or TRR register or a priority level.

D₇-D₀:

Bidirectional data bus control status and interrupt in a this bus. This bus is connected to BDB of 8085.

CAS₀-CAS₂:

Cascade lines: The CAS lines form a private 8259A bus to control a multiple 8259A structure ie to identify a particular slave device. These pins are outputs of a master 8259A and inputs for a slave 8259A.

$\overline{SP/EN}$: Salve program/enable buffer:

This is a dual function pin. It is used as an input to determine whether the 8259A is to a master ($\overline{SP/EN} = 1$) or as a slave ($\overline{SP/EN} = 0$). It is also used as an output to disable the data bus transceivers when data are being transferred from the 8259A to the CPU. When in buffered mode, it can be used as an output and when not in the buffered mode it is used as an input.

INT:

This pin goes high whenever a valid interrupt request is asserted. It is used to interrupt the CPU, thus it is connected to the CPU's interrupt pin (INTR).

\overline{INTA} :

Interrupt: Acknowledge. This pin is used to enable 8259A interrupt vector data on the data bus by a sequence of interrupt request pulses issued by the CPU.

IR₀-IR₇:

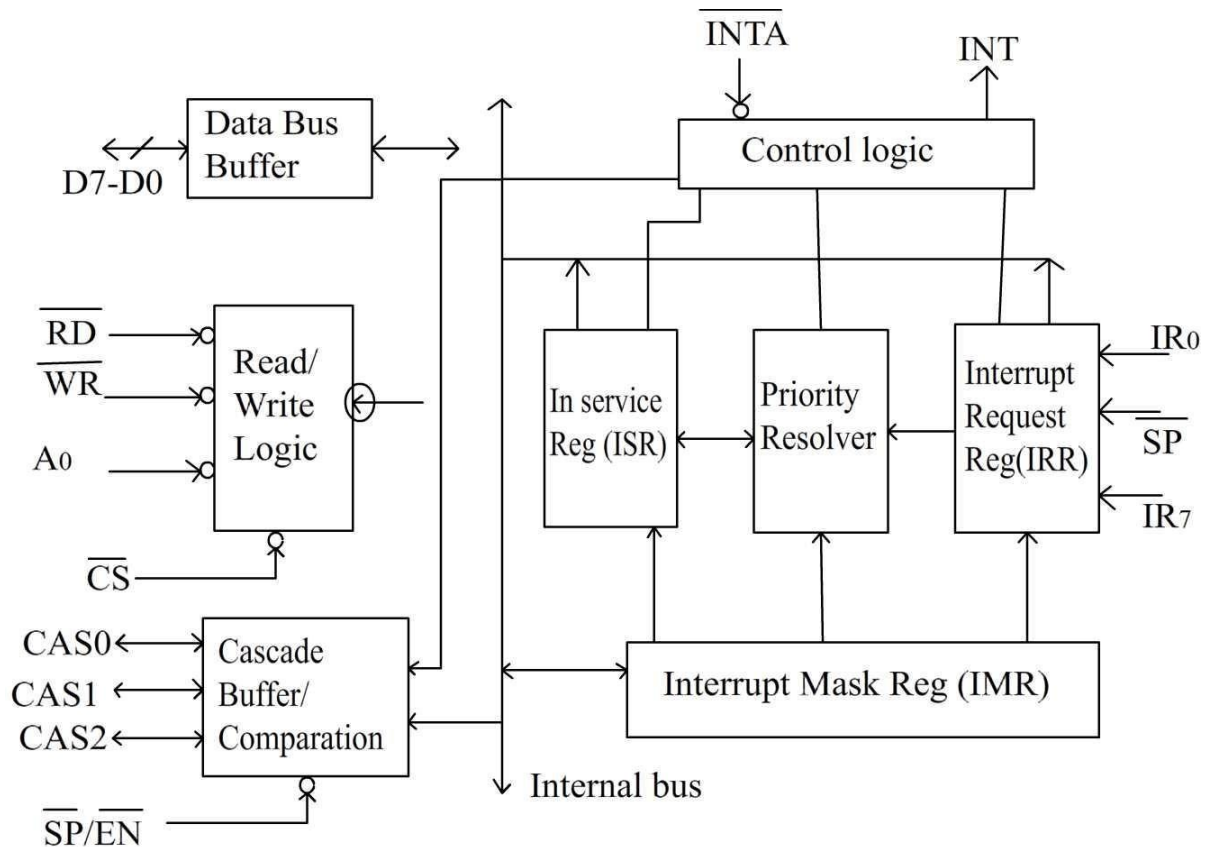
Interrupt Requests: Asynchronous interrupt inputs. An interrupt request is executed by raising an IR input (low to high), and holding it high until it is acknowledged. (Edge triggered mode).or just by a high level on an IR input (levels triggered mode).

A₀:

A₀ address line: This pin acts in conjunction with the **RD** , **WR** & **CS** pins. It is used by the 8259A to send various command words from the CPU and to read the status. If is connected to the CPU A₀ address line. Two addresses must be reserved in the I/O address space for each 8259 in the system.

Functional Description:

The 8259 A has eight interrupt request inputs, TR2 IR0. The 8259 A uses its INT output to interrupt the 8085A via INTR pin. The 8259A receives interrupt acknowledge pulses from the **μp** at its **INTA** input. Vector address used by the 8085 A to transfer control to the service subroutine of the interrupting device, is provided by the 8259 A on the data bus. The 8259A is a programmable device that must be initialized by command words sent by the. After initialization the 8259 A mode of operation can be changed by operation command words from the.



The descriptions of various blocks are,

Data bus buffer:

This 3- state, bidirectional 8-bit buffer is used to interface the 8259A to the system data bus. Control words and status information are transferred through the data bus buffer.

Read/Write & control logic:

The function of this block is to accept OUTPUT commands from the CPU. It contains the initialization command word (ICW) register and operation command word (OCW) register which store the various control formats for device operation. This function block also allows the status of 8159A to be transferred to the data bus.

Interrupt request register (IRR):

IRR stores all the interrupt inputs that are requesting service. Basically, it keeps track of which interrupt inputs are asking for service. If an interrupt input is unmasked, and has an interrupt signal on it, then the corresponding bit in the IRR will be set.

Interrupt mask register (IMR):

The IMR is used to disable (Mask) or enable (Unmask) individual interrupt inputs. Each bit in this register corresponds to the interrupt input with the same number. The IMR operation on the IRR. Masking of higher priority input will not affect the interrupt request lines of lower priority. To unmask any interrupt the corresponding bit is set '0'.

In service register (ISR):

The in service registers keeps tracks of which interrupt inputs are currently being serviced. For each input that is currently being serviced the corresponding bit will be set in the in service register. Each of these 3-reg can be read as status reg.

Priority Resolver:

This logic block determines the priorities of the set in the IRR. The highest priority is selected and strobed into the corresponding bit of the ISR during **INTA** pulse.

Cascade buffer/comparator:

This function blocks stores and compare the IDS of all 8259A's in the reg. The associated 3-I/O pins (CAS0-CAS2) are outputs when

8259A is used a master. Master and are inputs when 8259A is used as a slave. As a master, the 8259A sends the ID of the interrupting slave device onto the cas2-cas0. The slave thus selected will send its pre-programmed subroutine address on to the data bus during the next one or two successive **INTA** pulses.

8257: Direct Memory Access Controller

The *Direct Memory Access* or DMA mode of data transfer is the fastest amongst all the modes of data transfer. In this mode, the device may transfer data directly to/from memory without any interference from the CPU. The device requests the CPU (through a DMA controller) to hold its data, address and control bus, so that the device may transfer data directly to/from memory.

The DMA data transfer is initiated only after receiving HLDA signal from the CPU. Intel's 8257 is a four channel DMA controller designed to be interfaced with their family of microprocessors. The 8257, on behalf of the devices, requests the CPU for bus access using local bus request input i.e. HOLD in minimum mode. In maximum mode of the microprocessor RQ/GT pin is used as bus request input.

On receiving the HLDA signal (in minimum mode) or RQ/GT signal (in maximum mode) from the CPU, the requesting devices gets the access of the bus, and it completes the required number of DMA cycles for the data transfer and then hands over the control of the bus back to the CPU.

Internal Architecture of 8257

The internal architecture of 8257 is shown in figure. The chip support four DMA channels, i.e. four peripheral devices can independently request for DMA data transfer through these channels at a time. The DMA controller has 8-bit internal data buffer, a read/write unit, a control unit, a priority resolving unit along with a set of registers.

Register Organization of 8257

Table 8257 Register Selection

Register	Byte	Address Inputs				F/L	BI-Directional Data Bus							
		A ₃	A ₂	A ₁	A ₀		D ₇	D ₆	D ₅	D ₄	D ₃	D ₂	D ₁	D ₀
CH-0 DMA Address	LSB	0	0	0	0	0	A ₇	A ₆	A ₅	A ₄	A ₃	A ₂	A ₁	A ₀
	MSB	0	0	0	0	1	A ₁₅	A ₁₄	A ₁₃	A ₁₂	A ₁₁	A ₁₀	A ₉	A ₈
CH-0 Terminal Count	LSB	0	0	0	1	0	C ₇	C ₆	C ₅	C ₄	C ₃	C ₂	C ₁	C ₀
	MSB	0	0	0	1	1	Rd	Wr	C ₁₃	C ₁₂	C ₁₁	C ₁₀	C ₉	C ₈
CH-1 DMA Address	LSB	0	0	1	0	0	A ₇	A ₆	A ₅	A ₄	A ₃	A ₂	A ₁	A ₀
	MSB	0	0	1	0	1	A ₁₅	A ₁₄	A ₁₃	A ₁₂	A ₁₁	A ₁₀	A ₉	A ₈
CH-1 Terminal Count	LSB	0	0	1	1	0	C ₇	C ₆	C ₅	C ₄	C ₃	C ₂	C ₁	C ₀
	MSB	0	0	1	1	1	Rd	Wr	C ₁₃	C ₁₂	C ₁₁	C ₁₀	C ₉	C ₈
CH-2 DMA Address	LSB	0	1	0	0	0	A ₇	A ₆	A ₅	A ₄	A ₃	A ₂	A ₁	A ₀
	MSB	0	1	0	0	1	A ₁₅	A ₁₄	A ₁₃	A ₁₂	A ₁₁	A ₁₀	A ₉	A ₈
CH-2 Terminal Count	LSB	0	1	0	1	0	C ₇	C ₆	C ₅	C ₄	C ₃	C ₂	C ₁	C ₀
	MSB	0	1	0	1	1	Rd	Wr	C ₁₃	C ₁₂	C ₁₁	C ₁₀	C ₉	C ₈
CH-3 DMA Address	LSB	0	1	1	0	0	A ₇	A ₆	A ₅	A ₄	A ₃	A ₂	A ₁	A ₀
	MSB	0	1	1	0	1	A ₁₅	A ₁₄	A ₁₃	A ₁₂	A ₁₁	A ₁₀	A ₉	A ₈
CH-3 Terminal Count	LSB	0	1	1	1	0	C ₇	C ₆	C ₅	C ₄	C ₃	C ₂	C ₁	C ₀
	MSB	0	1	1	1	1	Rd	Wr	C ₁₃	C ₁₂	C ₁₁	C ₁₀	C ₉	C ₈
MODE SET (Programme only)	—	1	0	0	0	0	AL	TCS	EW	RP	EN3	EN2	EN1	EN0
STATUS (Read only)	—	1	0	0	0	0	0	0	0	UP	TC3	TC2	TC1	TC0

The 8257 performs the DMA operation over four independent DMA channels. Each of four channels of 8257 has a pair of two 16-bit registers, viz. DMA *address*

register and terminal count register.

There are two common registers for all the channels, namely, *mode set register* and *status register*. Thus there are a total of ten registers. The CPU selects one of these ten registers using address lines A₀-A₃. Table shows how the A₀-A₃ bits may be used for selecting one of these registers.

DMA Address Register

Each DMA channel has one DMA address register. The function of this register is to store the address of the starting memory location, which will be accessed by the DMA channel. Thus the starting address of the memory block which will be accessed by the device is first loaded in the DMA address register of the channel.

The device that wants to transfer data over a DMA channel, will access the block of the memory with the starting address stored in the DMA Address Register.

Terminal Count Register

Each of the four DMA channels of 8257 has one terminal count register (TC). This 16-bit register is used for ascertaining that the data transfer through a DMA channel ceases or stops after the required number of DMA cycles. The low order 14-bits of the terminal count register are initialised with the binary equivalent of the number of required DMA cycles minus one.

After each DMA cycle, the terminal count register content will be decremented by one and finally it becomes zero after the required number of DMA cycles are over. The bits 14 and 15 of this register indicate the type of the DMA operation (transfer). If the device wants to write data into the memory, the DMA operation is called DMA write operation. Bit 14 of the register in this case will be set to one and bit 15 will be set to zero.

Table gives detail of DMA operation selection and corresponding bit configuration of bits 14 and 15 of the TC register.

Table DMA Operation Selection Using A₁₅/RD and A₁₄/WR

Bit 15	Bit 14	Type of DMA Operation
0	0	Verify DMA Cycle
0	1	Write DMA Cycle
1	0	Read DMA Cycle
1	1	(Illegal)

Mode Set Register

The mode set register is used for programming the 8257 as per the requirements of the system. The function of the mode set register is to enable the DMA channels individually and also to set the various modes of operation.

The DMA channel should not be enabled till the DMA address register and the terminal count register contain valid information, otherwise, an unwanted DMA request may initiate a DMA cycle, probably destroying the valid memory data. The bits D₀-D₃ enable one of the four DMA channels of 8257. for example, if D₀ is '1', channel 0 is enabled. If

bit 4 is set, rotating priority is enabled, otherwise, the normal, i.e. fixed priority is enabled.

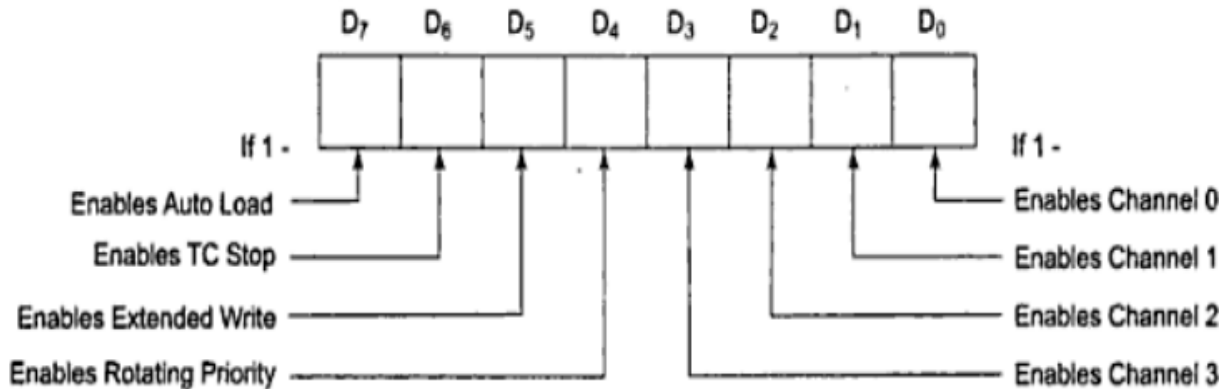


Fig. Bit Definitions of the Mode Set Register

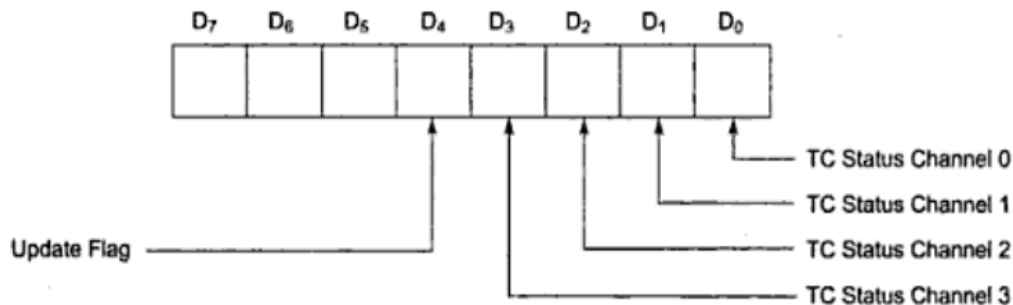
If the TC STOP bit is set, the selected channel is disabled after the *terminal count* condition is reached, and it further prevents any DMA cycle on the channel. To enable the channel again, this bit must be reprogrammed. If the TC STOP bit is programmed to be zero, the channel is not disabled, even after the count reaches zero and further request are allowed on the same channel.

The auto load bit, if set, enables channel 2 for the repeat block chaining operations, without immediate software intervention between the two successive blocks. The channel 2 registers are used as usual, while the channel 3 registers are used to store the block reinitialisation parameters, i.e. the DMA starting address and terminal count. After the first block is transferred using DMA, the channel 2 registers are reloaded with the corresponding channel 3 registers for the next block transfer, if the *update* flag is set. The extended write bit, if set to '1', extends the duration of MEMW and IOW signals by activating them earlier, this is useful in interfacing the peripherals with different access times.

If the peripheral is not accessed within the stipulated time, it is expected to give the 'NOT READY' indication to 8257, to request it to add one or more wait states in the DMA CYCLE. The mode set register can only be written into.

Status Register

The status register of 8257 is shown in figure. The lower order 4-bits of this register contain the terminal count status for the four individual channels. If any of these bits is set, it indicates that the specific channel has reached the terminal count condition.



If 1, the respective channel has reached the terminal count condition.

These bits remain set till either the status is read by the CPU or the 8257 is reset. The update flag is not affected by the read operation. This flag can only be cleared by resetting 8257 or by resetting the auto load bit of the mode set register. If the update flag is set, the contents of the channel 3 registers are reloaded to the corresponding registers of channel 2 whenever the channel 2 reaches a terminal count condition, after transferring one block and the next block is to be transferred using the autoloading feature of 8257.

The update flag is set every time, the channel 2 registers are loaded with contents of the channel 3 registers. It is cleared by the completion of the first DMA cycle of the new block. This register can only read.

Data Bus Buffer, Read/Write Logic, Control Unit and Priority Resolver

The 8-bit. Tristate, bidirectional buffer interfaces the internal bus of 8257 with the external system bus under the control of various control signals.

In the slave mode, the read/write logic accepts the I/O Read or I/O Write signals, decodes the Ao-A3 lines and either writes the contents of the data bus to the addressed internal register or reads the contents of the selected register depending upon whether IOW or IOR signal is activated.

In master mode, the read/write logic generates the IOR and IOW signals to control the data flow to or from the selected peripheral. The control logic controls the sequences of operations and generates the required control signals like AEN, ADSTB, MEMR, MEMW, TC and MARK along with the address lines A4-A7, in master mode. The priority resolver resolves the priority of the four DMA channels depending upon whether normal priority or rotating priority is programmed.

Signal Description of 8257

DRQ0-DRQ3 :

These are the four individual channel DMA request inputs, used by the peripheral devices for requesting the DMA services. The DRQ0 has the highest priority while DRQ3 has the lowest one, if the fixed priority mode is selected.

DACK0-DACK3 :

These are the active-low DMA acknowledge output lines which inform the requesting peripheral that the request has been honoured and the bus is relinquished by the CPU. These lines may act as strobe lines for the requesting devices.

Do-D7:

These are bidirectional, data lines used to interface the system bus with the internal data bus of 8257. These lines carry command words to 8257 and status word from 8257, in slave mode, i.e. under the control of CPU.

The data over these lines may be transferred in both the directions. When the 8257 is the bus master (master mode, i.e. not under CPU control), it uses Do-D7 lines to send higher byte of the generated address to the latch. This address is further latched using ADSTB signal. the address is transferred over Do-D7 during the first clock cycle of the DMA cycle. During the rest of the period, data is available on the data bus.

IOR:

This is an active-low bidirectional tristate input line that acts as an input in the slave mode. In slave mode, this input signal is used by the CPU to read internal registers of 8257. this line acts output in master mode. In master mode, this signal is used to read data from a peripheral during a memory write cycle.

IOW :

This is an active low bidirection tristate line that acts as input in slave mode to

load the contents of the data bus to the 8-bit mode register or upper/lower byte of a 16-bit DMA address register or terminal count register. In the master mode, it is a control output that loads the data to a peripheral during DMA memory read cycle (write to peripheral).

CLK:

This is a clock frequency input required to derive basic system timings for the internal operation of 8257.

RESET :

This active-high asynchronous input disables all the DMA channels by clearing the mode register and tristates all the control lines.

A0-A3:

These are the four least significant address lines. In slave mode, they act as input which select one of the registers to be read or written. In the master mode, they are the four least significant memory address output lines generated by 8257.

CS:

This is an active-low chip select line that enables the read/write operations from/to 8257, in slave mode. In the master mode, it is automatically disabled to prevent the chip from getting selected (by CPU) while performing the DMA operation.

A4-A7 :

This is the higher nibble of the lower byte address generated by 8257 during the master mode of DMA operation.

READY:

This is an active-high asynchronous input used to stretch memory read and write cycles of 8257 by inserting wait states. This is used while interfacing slower peripherals..

HRQ:

The hold request output requests the access of the system bus. In the non-cascaded 8257 systems, this is connected with HOLD pin of CPU. In the cascade mode, this pin of a slave is connected with a DRQ input line of the master 8257, while that of the master is connected with HOLD input of the CPU.

HLDA :

The CPU drives this input to the DMA controller high, while granting the bus to the device. This pin is connected to the HLDA output of the CPU. This input, if high, indicates to the DMA controller that the bus has been granted to the requesting peripheral by the CPU.

MEMR:

This active –low memory read output is used to read data from the addressed memory locations during DMA read cycles.

MEMW :

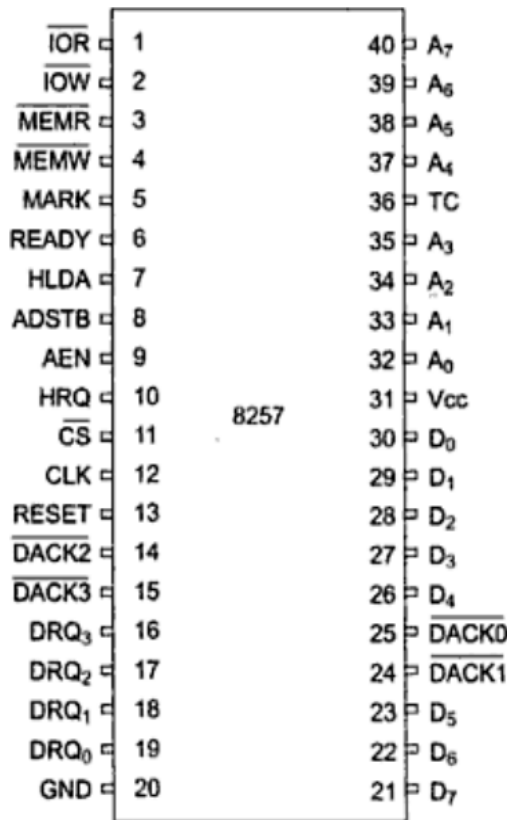
This active-low three state output is used to write data to the addressed memory location during DMA write operation.

ADST :

This output from 8257 strobes the higher byte of the memory address generated by the DMA controller into the latches.

AEN:

This output is used to disable the system data bus and the control the bus driven by the CPU, this may be used to disable the system address and data bus by using the enable input of the bus drivers to inhibit the non-DMA devices from responding during DMA operations. If the 8257 is I/O mapped, this should be used to disable the other I/O devices, when the DMA controller addresses is on the address bus.



Pin diagram of 8257

TC:

Terminal count output indicates to the currently selected peripherals that the present DMA cycle is the last for the previously programmed data block. If the TC STOP bit in the mode set register is set, the selected channel will be disabled at the end of the DMA cycle.

The TC pin is activated when the 14-bit content of the terminal count register of the selected channel becomes equal to zero. The lower order 14 bits of the terminal count register are to be programmed with a 14-bit equivalent of (n-1), if n is the desired

number of DMA cycles.

MARK :

The modulo 128 mark output indicates to the selected peripheral that the current DMA cycle is the 128th cycle since the previous MARK output. The mark will be activated after each 128 cycles or integral multiples of it from the beginning if the data block (the first DMA cycle), if the total number of the required DMA cycles (n) is completely divisible by 128.

Vcc :

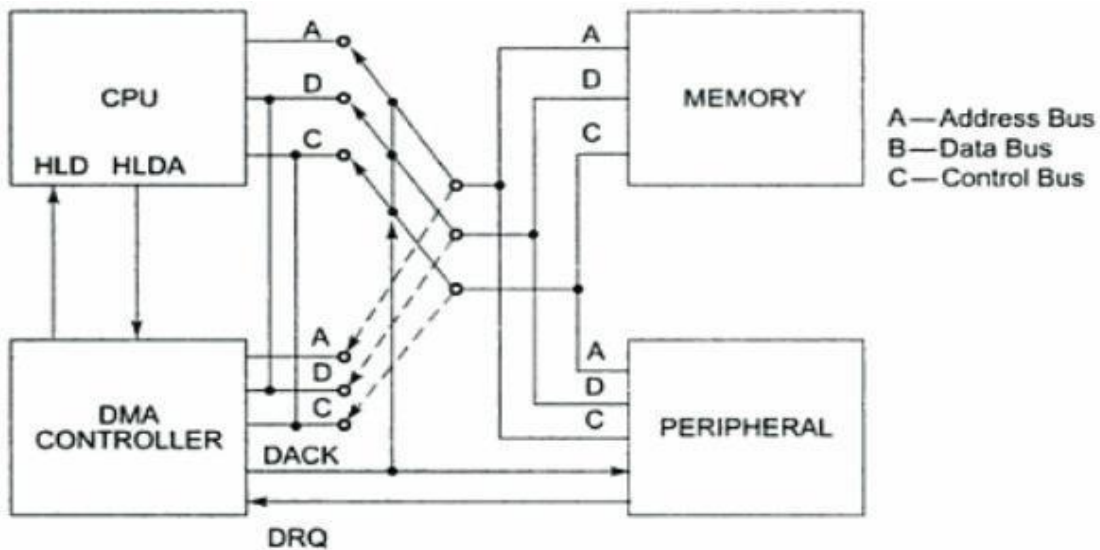
This is a +5v supply pin required for operation of the circuit.

GND :

This is a return line for the supply (ground pin of the IC).

Interfacing 8257 with 8086

Once a DMA controller is initialised by a CPU property, it is ready to take control of the system bus on a DMA request, either from a peripheral or itself (in case of memory-to-memory transfer). The DMA controller sends a HOLD request to the CPU and waits for the CPU to assert the HLDA signal. The CPU relinquishes the control of the bus before asserting the HLDA signal.



A conceptual implementation of the system is shown in Figure

Once the HLDA signal goes high, the DMA controller activates the DACK signal to the requesting peripheral and gains the control of the system bus. The DMA controller is the sole master of the bus, till the DMA operation is over. The CPU remains in the HOLD status (all of its signals are tristate except HOLD and HLDA), till the DMA controller is the master of the bus.

In other words, the DMA controller interfacing circuit implements a switching arrangement for the address, data and control busses of the memory and peripheral subsystem from/to the CPU to/from the DMA controller.

QUESTIONS:

1. What are the functions of RAM and ROM chips in a microprocessor-based system?
2. How much memory, in terms of bytes, can be interfaced with the 8085? why?
3. What are the differences between memory-mapped I/O and I/O-mapped I/O schemes?
4. Interface two 8K x 8 RAM and a 8K x 8 EPROM chip with the 8085, using 74LS138 decoder, such that the starting address assigned to them are 6000H, 8000H and 0000K respectively.
5. Name the registers available in 8255.
6. Write the control word format for the I/O mode of the 8255.
7. Write a brief note on the I/O modes of the 8255.
8. List the internal registers of the 8259.
9. Write a note on cascaded mode of operation in the 8259.
10. Explain the initialization process of the 8259.
11. Draw the block diagram of the 8259 and explain how it can be used for increasing the interrupt capabilities of the 8085.
12. How is DMA better than programmed data transfer?
13. Give examples of I/O devices that can be interfaced with DMA.
14. Write the sequence of operation carried out in DMA.
15. Describe in detail how the 8257 can be interfaced with the processor.

MODULE: 3

8086 Microprocessor Architecture and Operation:

It is a 16 bit μ p. 8086 has a 20 bit address bus can access upto 220 memory locations (1 MB) . It can support upto 64K I/O ports. It provides 14, 16-bit registers. It has multiplexed address and data bus AD0- AD15 and A16 – A19. It requires single phase clock with 33% duty cycle to provide internal timing. 8086 is designed to operate in two modes, Minimum and Maximum. It can prefetches upto 6 instruction bytes from memory and queues them in order to speed up instruction execution. It requires +5V power supply. A 40 pin dual in line package.

Minimum and Maximum Modes:

The minimum mode is selected by applying logic 1 to the MN / MX# input pin. This is a single microprocessor configuration. The maximum mode is selected by applying logic 0 to the MN / MX# input pin. This is a multi micro processors configuration.

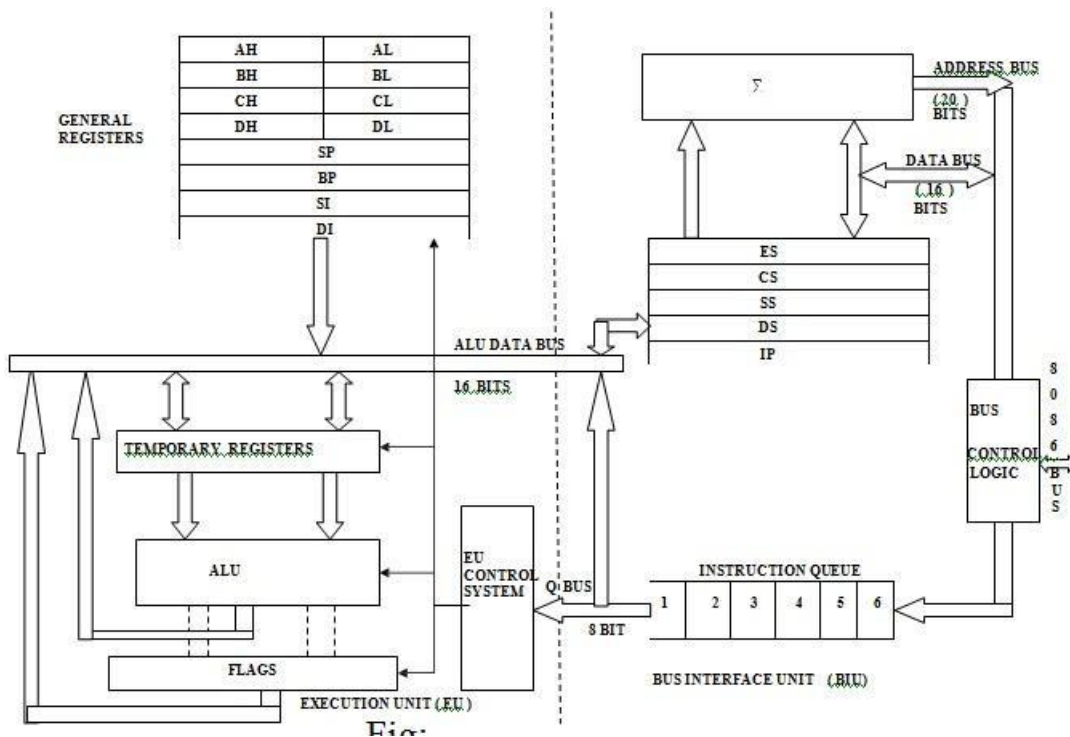
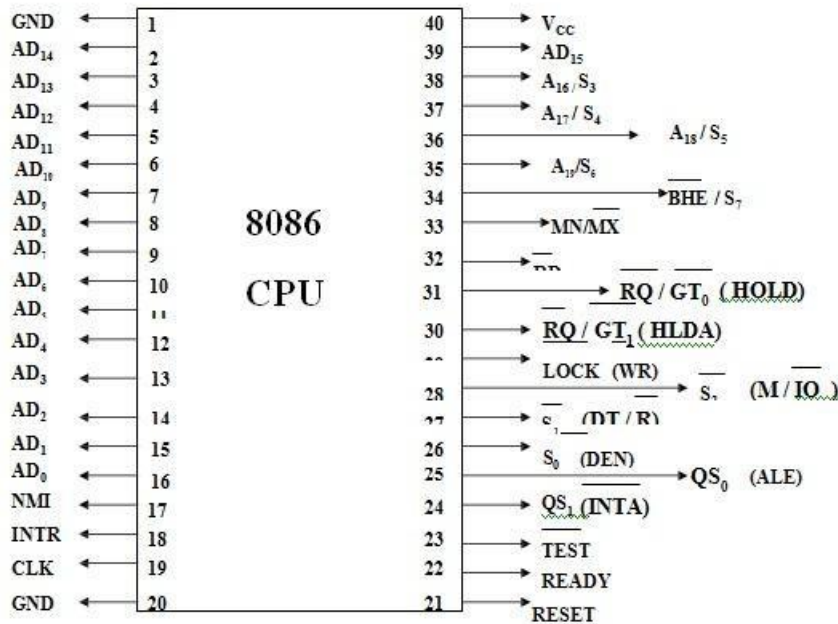


Fig. Architecture of 8086

Pin Diagram of 8086



Internal Architecture of 8086

8086 has two blocks BIU and EU. The BIU performs all bus operations such as instruction fetching, reading and writing operands for memory and calculating the addresses of the memory operands. The instruction bytes are transferred to the instruction queue. EU executes instructions from the instruction system byte queue. Both units operate asynchronously to give the 8086 an overlapping instruction fetch and execution mechanism which is called as Pipelining. This results in efficient use of the system bus and system performance. BIU contains Instruction queue, Segment registers, Instruction pointer, Address adder. EU contains Control circuitry, Instruction decoder, ALU, Pointer and Index register, Flag register.

Bus Interfac Unit:

It provides a full 16 bit bidirectional data bus and 20 bit address bus. The bus interface unit is responsible for performing all external bus operations.

Specifically it has the following functions:

Instruction fetch, Instruction queuing, Operand fetch and storage, Address relocation and Bus control. The BIU uses a mechanism known as an instruction stream queue to implement a *pipeline architecture*.

This queue permits prefetch of up to six bytes of instruction code. When ever the queue of the BIU is not full, it has room for at least two more bytes and at the same time the EU is not requesting it to read or write operands from memory, the BIU is free to look ahead in the program by prefetching the next sequential instruction. These prefetching instructions are held in its FIFO queue. With its 16 bit data bus, the BIU fetches two instruction bytes in a single memory cycle. After a byte is loaded at the input end of the queue, it automatically shifts up through the FIFO to the empty location nearest the output.

The EU accesses the queue from the output end. It reads one instruction byte after the other from the output of the queue. If the queue is full and the EU is not requesting access to operand in memory. These intervals of no bus activity, which may occur between bus cycles are known as *Idle state*. If the BIU is already in the process of fetching an instruction when the EU request it to read or write operands from memory or I/O, the BIU first completes the instruction fetch bus cycle before initiating the operand read / write cycle. The BIU also contains a dedicated adder which is used to generate the 20 bit physical address that is output on the address bus. This address is formed by adding an appended 16 bit segment address and a 16 bit offset address. For example, the physical address of the next instruction to be fetched is formed by combining the current contents of the code segment CS register and the current contents of the instruction pointer IP register. The BIU is also responsible for generating bus control signals such as those for memory read or write and I/O read or write.

EXECUTION UNIT: The Execution unit is responsible for decoding and executing all instructions. The EU extracts instructions from the top of the queue in the BIU, decodes them, generates operands if necessary, passes them to the BIU and requests it to perform the read or write bus cycles to memory or I/O and perform the operation specified by the instruction on the operands. During the execution of the instruction, the EU tests the status and control flags and updates them based on the results of executing the instruction. If the queue is empty, the EU waits for the next instruction byte to be fetched and shifted to top of the queue. When the EU executes a branch or jump instruction, it transfers control to a location corresponding to another set of sequential instructions. Whenever this happens, the BIU automatically resets the queue and then begins to fetch instructions from this new location to refill the queue.

COMMON SIGNALS		
Name	Function	Type
AD ₁₅ – AD ₀	Address/ Data Bus	Bidirectional 3-state
A ₁₉ /S ₆ – A ₁₆ /S ₃	Address / Status	Output 3-State
$\overline{\text{BHE}}$ /S ₇	Bus High Enable / Status	Output 3-State
MN / MX	Minimum / Maximum Mode Control	Input
$\overline{\text{RD}}$	Read Control	Output 3-State
TEST	Wait On Test Control	Input
READY	Wait State Controls	Input
RESET	System Reset	Input
NMI	Interrupt Request	Input
INTR	Interrupt Request	Input
CLK	System Clock	Input
V _{cc}	+ 5 V	Input
GND	Ground	

Minimum Mode Signals ($\overline{\text{MN}}/\overline{\text{MX}} = \text{V}_{\text{cc}}$)		
Name	Function	Type
HOLD	Hold Request	Input
HLDA	Hold Acknowledge	Output
$\overline{\text{WR}}$	Write Control	Output 3-state
$\overline{\text{MIO}}$	Memory or IO Control	Output 3-State
$\overline{\text{DTR}}$	Data Transmit / Receiver	Output 3-State
$\overline{\text{DEN}}$	Date Enable	Output 3-State
ALE	Address Latch Enable	Output
$\overline{\text{INTA}}$	Interrupt Acknowledge	Output

Maximum mode signals (MN / \overline{MX} = GND)		
Name	Function	Type
$\overline{RQ} / \overline{GT1}, 0$	Request / Grant Bus Access Control	Bidirectional
\overline{LOCK}	Bus Priority Lock Control	Output, 3- State
$\overline{S_2} - \overline{S_0}$	Bus Cycle Status	Output, 3- State
QS1, QS0	Instruction Queue Status	Output

Internal Registers of 8086

The 8086 has four groups of the user accessible internal registers. They are the instruction pointer, four data registers, four pointer and index register, four segment registers.

The 8086 has a total of fourteen 16-bit registers including a 16 bit register called the *status register*, with 9 of bits implemented for status and control flags. Most of the registers contain data/instruction offsets within 64 KB memory segment. There are four different 64 KB segments for instructions, stack, data and extra data. To specify where in 1 MB of processor memory these 4 segments are located the processor uses four segment registers:

Code segment (CS) is a 16-bit register containing address of 64 KB segment with processor instructions. The processor uses CS segment for all accesses to instructions referenced by instruction pointer (IP) register. CS register cannot be changed directly. The CS register is automatically updated during far jump, far call and far return instructions.

Stack segment (SS) is a 16-bit register containing address of 64KB segment with program stack. By default, the processor assumes that all data referenced by the stack pointer (SP) and base pointer (BP) registers is located in the stack segment. SS register can be changed directly using POP instruction.

Data segment (DS) is a 16-bit register containing address of 64KB segment with program data. By default, the processor assumes that all data referenced by general registers (AX, BX, CX, DX) and index register (SI, DI) is located in the data segment. DS register can be changed directly using POP and LDS instructions.

Extra segment (ES) is a 16-bit register containing address of 64KB segment, usually with program data. By default, the processor assumes that the DI register references the ES segment in string manipulation instructions. ES register can be changed directly using POP and LES instructions. It is possible to change default segments used by general and index registers by prefixing instructions with a CS, SS, DS or ES prefix.

All general registers of the 8086 microprocessor can be used for arithmetic and logic operations. The general registers are:

Accumulator register consists of two 8-bit registers AL and AH, which can be combined together and used as a 16-bit register AX. AL in this case contains the low-order byte of the word, and AH contains the high-order byte. Accumulator can be used for I/O operations and string manipulation.

Base register consists of two 8-bit registers BL and BH, which can be combined together and used as a 16-bit register BX. BL in this case contains the low-order byte of the word, and BH contains the high-order byte. BX register usually contains a data pointer used for based, based indexed or register indirect addressing.

Count register consists of two 8-bit registers CL and CH, which can be combined together and used as a 16-bit register CX. When combined, CL register contains the low-order byte of the word, and CH contains the high-order byte. Count register can be used in Loop, shift/rotate instructions and as a counter in string manipulation,.

Data register consists of two 8-bit registers DL and DH, which can be combined together and used as a 16-bit register DX. When combined, DL register contains the low-order byte of the word, and DH contains the high-order byte. Data register can be used as a port number in I/O operations. In integer 32-bit multiply and divide instruction the DX register contains high-order word of the initial or resulting number.

The following registers are both general and index registers:

Stack Pointer (SP) is a 16-bit register pointing to program stack.

Base Pointer (BP) is a 16-bit register pointing to data in stack segment. BP register is usually used for based, based indexed or register indirect addressing.

Source Index (SI) is a 16-bit register. SI is used for indexed, based indexed and register indirect addressing, as well as a source data address in string manipulation instructions.

Destination Index (DI) is a 16-bit register. DI is used for indexed, based indexed and register indirect addressing, as well as a destination data address in string manipulation instructions.

Other registers:

Instruction Pointer (IP) is a 16-bit register.

Flags is a 16-bit register containing 9 one bit flags.

Overflow Flag (OF) - set if the result is too large positive number, or is too small negative number to fit into destination operand.

Direction Flag (DF) - if set then string manipulation instructions will auto-decrement index registers. If cleared then the index registers will be auto-incremented.

Interrupt-enable Flag (IF) - setting this bit enables maskable interrupts.

Single-step Flag (TF) - if set then single-step interrupt will occur after the next instruction.

Sign Flag (SF) - set if the most significant bit of the result is set.

Zero Flag (ZF) - set if the result is zero

Auxiliary carry Flag (AF) - set if there was a carry from or borrow to bits 0-3 in the AL register.

Parity Flag (PF) - set if parity (the number of "1" bits) in the low-order byte of the result is even.

Carry Flag (CF) - set if there was a carry from or borrow to the most significant bit during last result calculation.

Addressing Modes

Implied - the data value/data address is implicitly associated with the instruction.

Register - references the data in a register or in a register pair.

Immediate - the data is provided in the instruction.

Direct - the instruction operand specifies the memory address where data is located.

Register indirect - instruction specifies a register containing an address, where data is located. This addressing mode works with SI, DI, BX and BP registers.

Based :- 8-bit or 16-bit instruction operand is added to the contents of a base register (BX or BP), the resulting value is a pointer to location where data resides.

Indexed :- 8-bit or 16-bit instruction operand is added to the contents of an index register (SI or DI), the resulting value is a pointer to location where data resides.

Based Indexed :- the contents of a base register (BX or BP) is added to the contents of an index register (SI or DI), the resulting value is a pointer to location where data resides.

Based Indexed with displacement :- 8-bit or 16-bit instruction operand is added to the contents of a base register (BX or BP) and index register (SI or DI), the resulting value is a pointer to location where data resides.

Interrupts

The processor has the following interrupts:

INTR is a maskable hardware interrupt. The interrupt can be enabled/disabled using STI/CLI instructions or using more complicated method of updating the FLAGS register with the help of the POPF instruction.

When an interrupt occurs, the processor stores FLAGS register into stack, disables further interrupts, fetches from the bus one byte representing interrupt type, and jumps to interrupt processing routine address of which is stored in location $4 * \langle \text{interrupt type} \rangle$. Interrupt processing routine should return with the IRET instruction.

NMI is a non-maskable interrupt. Interrupt is processed in the same way as the INTR interrupt. Interrupt type of the NMI is 2, i.e. the address of the NMI processing routine is stored in location 0008h. This interrupt has higher priority than the maskable interrupt.

Software interrupts can be caused by:

INT instruction - breakpoint interrupt. This is a type 3 interrupt.

INT $\langle \text{interrupt number} \rangle$ instruction - any one interrupt from available 256 interrupts.

INTO instruction - interrupt on overflow

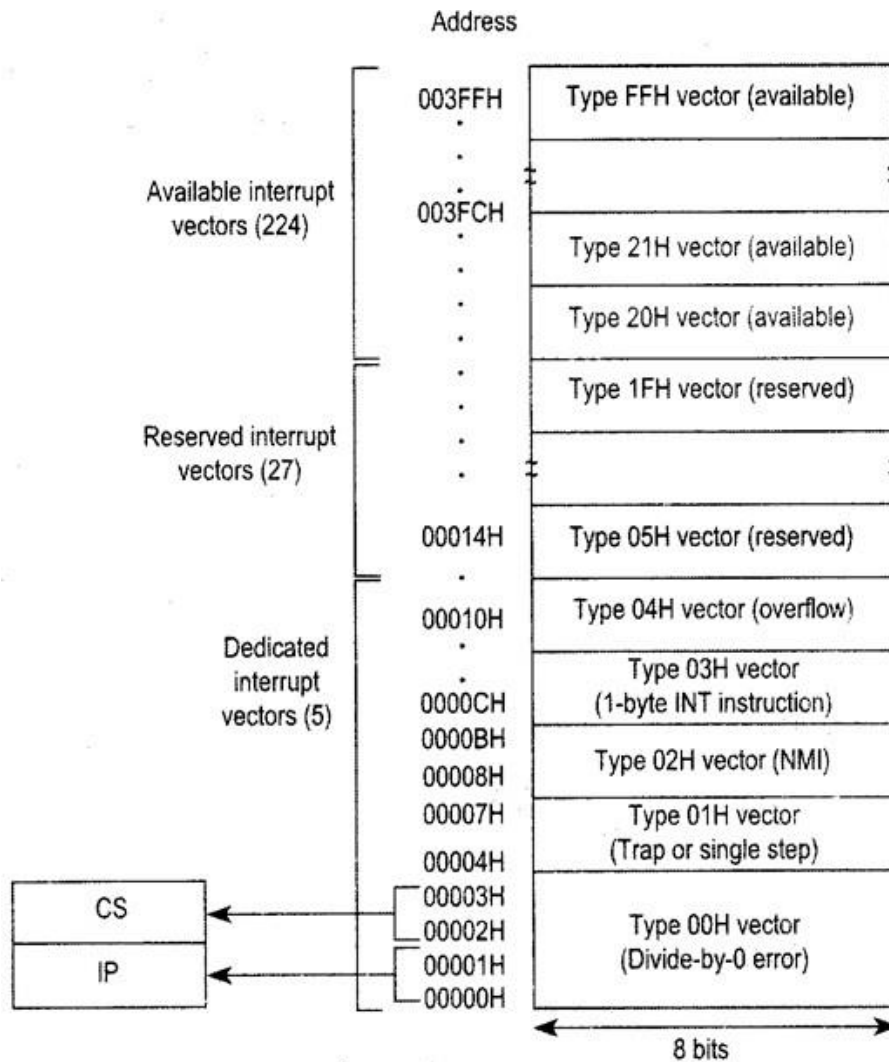
Single-step interrupt - generated if the TF flag is set. This is a type 1 interrupt. When the CPU processes this interrupt it clears TF flag before calling the interrupt processing routine.

Processor exceptions: Divide Error (Type 0), Unused

Opcode (type 6) and Escape opcode (type 7).

Software interrupt processing is the same as for the hardware interrupts.

The figure below shows the 256 interrupt vectors arranged in the interrupt vector table in the memory.



Interrupt Vector Table in the 8086

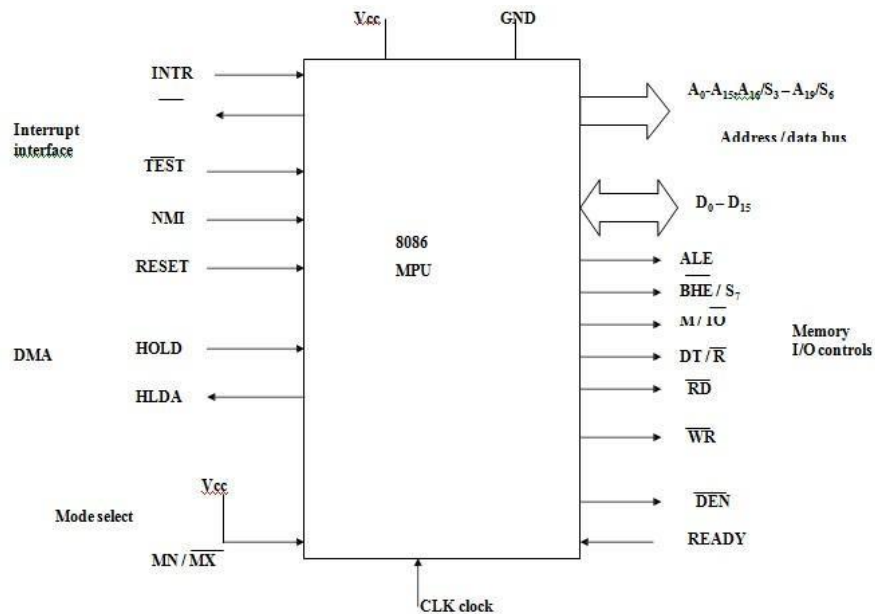
Minimum Mode Interface

When the Minimum mode operation is selected, the 8086 provides all control signals needed to implement the memory and I/O interface. The minimum mode signal can be divided into the following basic groups : address/data bus, status, control, interrupt and DMA.

Address/Data Bus : these lines serve two functions. As an address bus is 20 bits long and consists of signal lines A0 through A19. A19 represents the MSB and A0 LSB. A 20bit address gives the 8086 a 1Mbyte memory address space. More over it has an independent I/O address space which is 64K bytes in length.

The 16 data bus lines D0 through D15 are actually multiplexed with address lines A0 through A15 respectively. By multiplexed we mean that the bus work as an address bus

during first machine cycle and as a data bus during next machine cycles. D15 is the MSB and D0 LSB. When acting as a data bus, they carry read/write data for memory, input/output data for I/O devices, and interrupt type codes from an interrupt controller.



Block Diagram of the Minimum Mode 8086 MPU

Status signal : The four most significant address lines A19 through A16 are also multiplexed but in this case with status signals S6 through S3. These status bits are output on the bus at the same time that data are transferred over the other bus lines. Bit S4 and S3 together form a 2 bit binary code that identifies which of the 8086 internal segment registers are used to generate the physical address that was output on the address bus during the current bus cycle. Code S4S3 = 00 identifies a register known as *extra segment register* as the source of the segment address.

S ₄	S ₃	Segment Register
0	0	Extra
0	1	Stack
1	0	Code / none
1	1	Data

Memory segment status code

Status line S5 reflects the status of another internal characteristic of the 8086. It is the logic level of the internal enable flag. The last status bit S6 is always at the logic 0 level.

Control Signals : The control signals are provided to support the 8086 memory I/O interfaces. They control functions such as when the bus is to carry a valid address in which direction data are to be transferred over the bus, when valid write data are on the bus and when to put read data on the system bus.

ALE is a pulse to logic 1 that signals external circuitry when a valid address word is on the bus. This address must be latched in external circuitry on the 1-to-0 edge of the pulse at ALE.

Another control signal that is produced during the bus cycle is BHE bank high enable. Logic 0 on this used as a memory enable signal for the most significant byte half of the data bus D8 through D1. These lines also serves a second function, which is as the S7 status line.

Using the M/I/O and DT/R lines, the 8086 signals which type of bus cycle is in progress and in which direction data are to be transferred over the bus.

The logic level of M/I/O tells external circuitry whether a memory or I/O transfer is taking place over the bus. Logic 1 at this output signals a memory operation and logic 0 an

I/O operation.

The direction of data transfer over the bus is signalled by the logic level output at DT/R. When this line is logic 1 during the data transfer part of a bus cycle, the bus is in the transmit mode. Therefore, data are either written into memory or output to an I/O device.

On the other hand, logic 0 at DT/R signals that the bus is in the receive mode. This corresponds to reading data from memory or input of data from an input port.

The signal read RD and write WR indicates that a read bus cycle or a write bus cycle is in progress. The 8086 switches WR to logic 0 to signal external device that valid write or output data are on the bus.

On the other hand, RD indicates that the 8086 is performing a read of data of the bus. During read operations, one other control signal is also supplied. This is DEN (data enable) and it signals external devices when they should put data on the bus.

There is one other control signal that is involved with the memory and I/O interface. This is the READY signal.

READY signal is used to insert wait states into the bus cycle such that it is extended by a number of clock periods. This signal is provided by an external clock generator device and can be supplied by the memory or I/O sub- system to signal the 8086 when they are ready to permit the data transfer to be completed.

Maximum Mode Interface

When the 8086 is set for the maximum-mode configuration, it provides signals for implementing a multiprocessor / coprocessor system environment. By multiprocessor environment we mean that one microprocessor exists in the system and that each processor is executing its own program. Usually in this type of system environment, there are some system resources that are common to all processors. They are called as *global resources*. There are also other resources that are assigned to specific processors. These are known as *local* or *private resources*. Coprocessor also means that there is a second processor in the system. In this two processor does not access the bus at the same time. One passes the control of the system bus to the other and then may suspend its operation. In the maximum-mode 8086 system, facilities are provided for implementing allocation of global resources and passing bus control to other microprocessor or coprocessor.

8288 Bus Controller – Bus Command and Control Signals: 8086 does not directly provide all the signals that are required to control the memory, I/O and interrupt interfaces. Specially the WR, M/I/O, DT/R, DEN, ALE and INTA, signals are no longer produced by the 8086. Instead it outputs three status signals S₀, S₁, S₂ prior to the initiation of each bus cycle. This 3- bit bus status code identifies which type of bus cycle is to follow. S₂S₁S₀ are input to the external bus controller device, the bus controller generates the appropriately timed command and control signals.

Maximum Mode Interface (cont..)

Status Inputs			CPU Cycles	8288 Command
S ₂	S ₁	S ₀		
0	0	0	Interrupt Acknowledge	INTA
0	0	1	Read I/O Port	I _{ORC}
0	1	0	Write I/O Port	I _{OWC} , A _{IOWC}
0	1	1	Halt	None
1	0	0	Instruction Fetch	M _{RDC}
1	0	1	Read Memory	M _{RDC}
1	1	0	Write Memory	M _{WTC} , A _{MWC}
1	1	1	Passive	None

Bus Status Codes

The 8288 produces one or two of these eight command signals for each bus cycle. For instance, when the 8086 outputs the code S₂S₁S₀ equals 001, it indicates that an *I/O read cycle* is to be performed. In the code 111 is output by the 8086, it is signalling that no bus activity is to take place.

The control outputs produced by the 8288 are DEN, DT/R and ALE. These 3 signals provide the same functions as those described for the minimum system mode. This set of bus commands and control signals is compatible with the Multibus and industry standard for interfacing microprocessor systems.

8289 Bus Arbiter – Bus Arbitration and Lock Signals:

This device permits processors to reside on the system bus. It does this by implementing the Multibus arbitration protocol in an 8086-based system. Addition of the 8288 bus controller and 8289 bus arbiter frees a number of the 8086 pins for use to produce control signals that are needed to support multiple processors. Bus priority lock (LOCK) is one of these signals. It is input to the bus arbiter together with status signals S0 through S2.

Queue Status Signals: Two new signals that are produced by the 8086 in the maximum-mode system are queue status outputs QS0 and QS1. Together they form a 2-bit queue status code, QS1QS0. Following table shows the four different queue status.

QS ₁	QS ₀	Queue Status
0 (low)	0	No Operation. During the last clock cycle, nothing was taken from the queue.
0	1	First Byte. The byte taken from the queue was the first byte of the instruction.
1 (high)	0	Queue Empty. The queue has been reinitialized as a result of the execution of a transfer instruction.
1	1	Subsequent Byte. The byte taken from the queue was a subsequent byte of the instruction.

Queue status codes

QUESTIONS:

1. What is the size of address and data bus in the 8086?
2. Draw the register organization of the 8086 and explain typical applications of each register.
3. How is the 20-bit physical memory address calculated in the 8086 processor?
4. Write the different memory segments used in the 8086 and their functions.
5. Write the function of the DF, IF and TF bits in the 8086.
6. The content of the different registers in the 8086 is CS = F000H, DS = 1000H, SS = 2000H and ES = 3000H. Find the base address of the different segments in the memory.
7. What is the difference between the minimum and maximum mode operation of the 8086?
8. What is meant by DMA operation? Which pins of the 8086 are used to perform the DMA operation in the minimum and maximum modes of the 8086?
9. Explain the architecture of the 8086 with a neat functional block diagram.
10. Explain the function of different flags in the 8086.
11. What is the function of segment override prefix? Give two examples.
12. What is the difference between inter-segment and intra-segment jump in the 8086?
13. What is the difference between short and near jump in the 8086?
14. What are the different uses of stack in a microprocessor?
15. What is the difference between the MUL and IMUL instructions in the 8086?
16. What is the difference between the DIV and IDIV instructions in the 8086?
17. What is the function of DAA instruction in the 8086?
18. Write the operations performed when the instruction AAD is executed in the 8086.
19. What is the difference between maskable and non-maskable interrupts?
20. What is the difference between hardware and software interrupts?
21. What is an interrupt vector? What is the maximum number of interrupt vectors that can be stored in the IVT of the 8086?
22. Write a program to move a word string 200 bytes (i.e. 100 words) long from the offset address 1000H to the offset address 3000H in the segment 5000H.
23. Write a program to find the smallest word in an array of 100 words stored sequentially in the memory; starting at the offset address 1000H in the segment address 5000H. Store the result at the offset address 2000H in the same segment.
24. Write a program to add the two BCD data 29H and 98H and store the result in BCD form in the memory locations 2000H: 3000H and 2000H: 3001H.

MODULE: 4

8051 microcontroller

What is a Microcontroller?

A Microcontroller is a programmable digital processor with necessary peripherals. Both microcontrollers and microprocessors are complex sequential digital circuits meant to carry out job according to the program / instructions. Sometimes analog input/output interface makes a part of microcontroller circuit of mixed mode(both analog and digital nature).

Microcontrollers Vs Microprocessors

1. A microprocessor requires an external memory for program/data storage. Instruction execution requires movement of data from the external memory to the microprocessor or vice versa. Usually, microprocessors have good computing power and they have higher clock speed to facilitate faster computation.
2. A microcontroller has required on-chip memory with associated peripherals. A microcontroller can be thought of a microprocessor with inbuilt peripherals.
3. A microcontroller does not require much additional interfacing ICs for operation and it functions as a stand alone system. The operation of a microcontroller is multipurpose, just like a Swiss knife.
4. Microcontrollers are also called embedded controllers. A microcontroller clock speed is limited only to a few tens of MHz. Microcontrollers are numerous and many of them are application specific.

Development/Classification of microcontrollers (Invisible)

Microcontrollers have gone through a silent evolution (invisible). The evolution can be rightly termed as silent as the impact or application of a microcontroller is not well known to a common user, although microcontroller technology has undergone significant change since early 1970's. Development of some popular microcontrollers is given as follows.

Intel 4004	4 bit (2300 PMOS trans, 108 kHz)	1971
Intel 8048	8 bit	1976
Intel 8031	8 bit (ROM-less)	.
Intel 8051	8 bit (Mask ROM)	1980
Microchip PIC16C64	8 bit	1985
Motorola 68HC11	8 bit (on chip ADC)	.
Intel 80C196	16 bit	1982
Atmel AT89C51	8 bit (Flash memory)	.
Microchip PIC 16F877	8 bit (Flash memory + ADC)	.

Development of microprocessors (Visible)

Microprocessors have undergone significant evolution over the past four decades. This development is clearly perceptible to a common user, especially, in terms of phenomenal growth in capabilities of personal computers. Development of some of the microprocessors can be given as follows.

Intel 4004	4 bit (2300 PMOS transistors)	1971
Intel 8080 8085	8 bit (NMOS) 8 bit	1974
Intel 8088 8086	16 bit 16 bit	1978
Intel 80186 80286	16 bit 16 bit	1982
Intel 80386	32 bit (275000 transistors)	1985
Intel 80486 SX DX	32 bit 32 bit (built in floating point unit)	1989
Intel 80586 I MMX Celeron II III IV	64 bit	1993 1997 1999 2000
Z-80 (Zilog)	8 bit	1976
Motorola Power PC 601 602 603	32-bit	1993 1995

We use more number of microcontrollers compared to microprocessors. Microprocessors are primarily used for computational purpose, whereas microcontrollers find wide application in devices needing real time processing / control.

Application of microcontrollers are numerous. Starting from domestic applications such as in washing machines, TVs, airconditioners, microcontrollers are used in automobiles, process control industries, cell phones, electrical drives, robotics and in space applications.

Microcontroller Chips

Broad Classification of different microcontroller chips could be as follows:

- Embedded (Self -Contained) 8 - bit Microcontroller
- 16 to 32 Microcontrollers
- Digital Signal Processors

Features of Modern Microcontrollers

- Built-in Monitor Program
- Built-in Program Memory
- Interrupts
- Analog I/O
- Serial I/O
- Facility to Interface External Memory
- Timers

Internal Structure of a Microcontroller

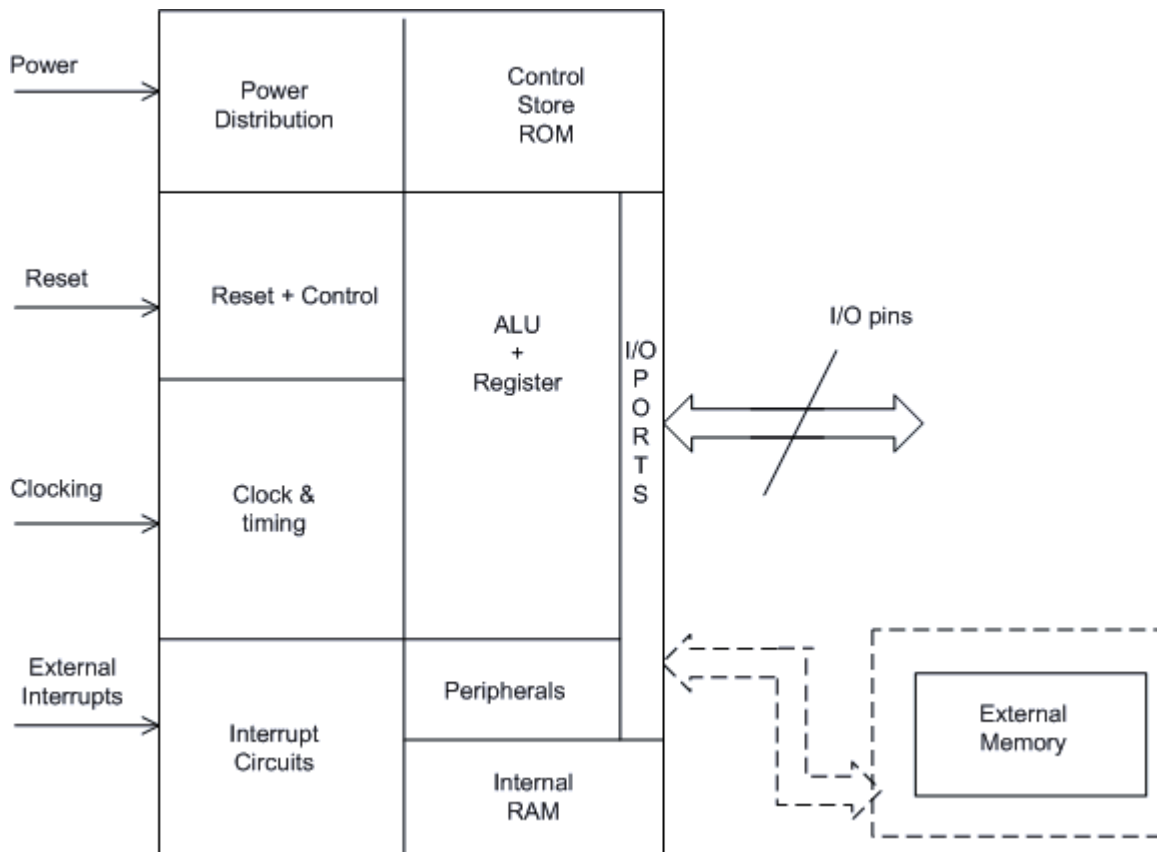


Fig. 4.1 Internal Structure of a Microcontroller

At times, a microcontroller can have external memory also (if there is no internal memory or extra memory interface is required). Early microcontrollers were manufactured using bipolar or NMOS technologies. Most modern microcontrollers are manufactured with CMOS technology, which leads to reduction in size and power loss. Current drawn by the IC is also reduced considerably from 10mA to a few micro Amperes in sleep mode (for a microcontroller running typically at a clock speed of 20MHz).

Harvard Architecture (Separate Program and Data Memory interfaces)

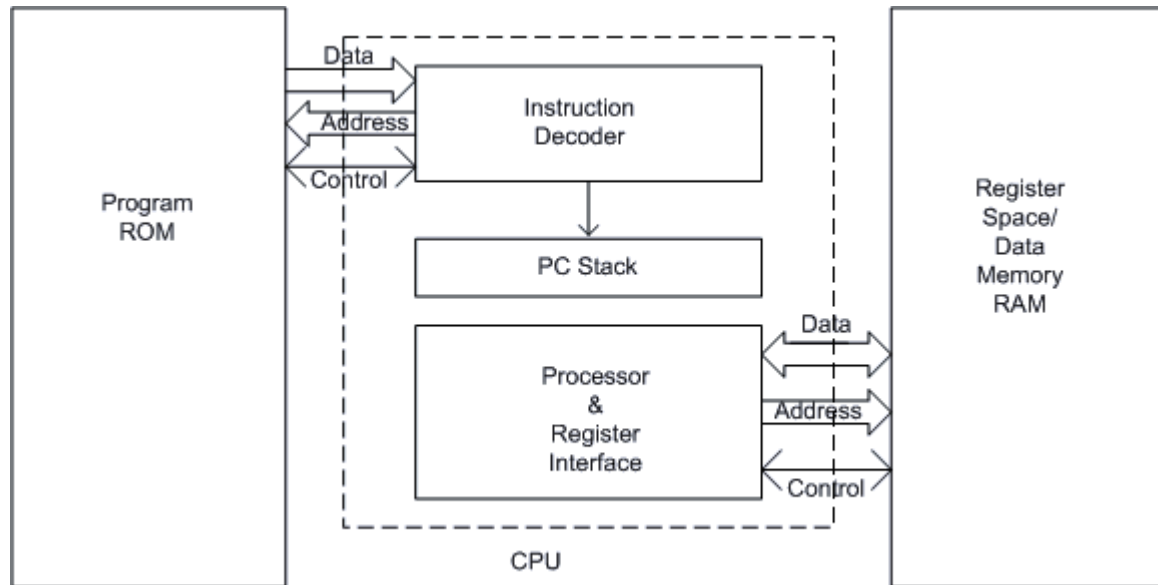


Fig. 4.2 Harvard Architecture

The same instruction (as shown under Princeton Architecture) would be executed as follows:

Cycle 1

- Complete previous instruction
- Read the "Move Data to Accumulator" instruction

Cycle 2

- Execute "Move Data to Accumulator" instruction
- Read next instruction

Hence each instruction is effectively executed in one instruction cycle, except for the ones that modify the content of the program counter. For example, the "jump" (or call) instructions takes 2 cycles. Thus, due to parallelism, Harvard architecture executes more instructions in a given time compared to Princeton Architecture.

Memory organization:

In the 8051, the memory is organized logically into program memory and data memory separately. The program memory is read-only type; the data memory is organized as read-write memory. Again, both program and data memories can be within the chip or outside.

Basic 8051 Architecture

The 8051 is an 8-bit microcontroller i.e. the data bus within and outside the chip is eight bits wide. The address bus of the 8051 is 16-bit wide. So it can address 64 KB of memory. The 8051 is a 40-pin chip as shown in figure below:

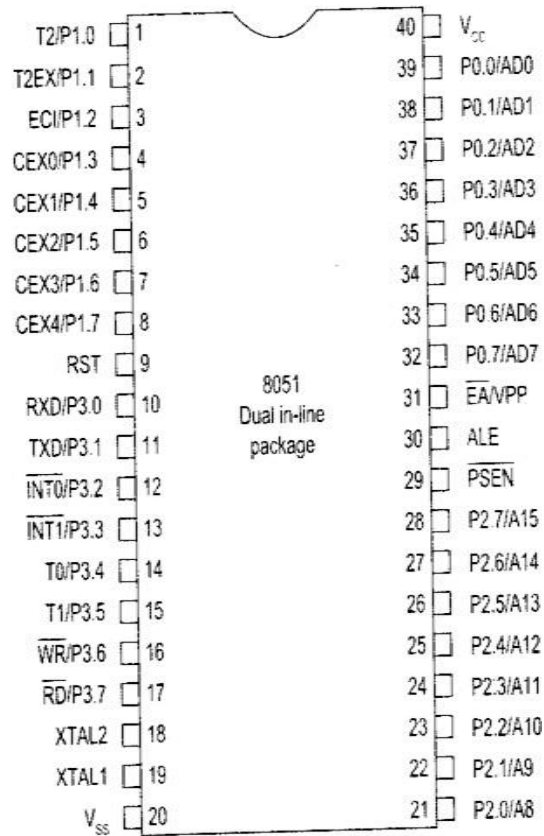


Fig 4.3 Pin details of 8051

8051 employs Harvard architecture. It has some peripherals such as 32 bit digital I/O, Timers and Serial I/O. The basic architecture of 8051 is given in fig 4.4.

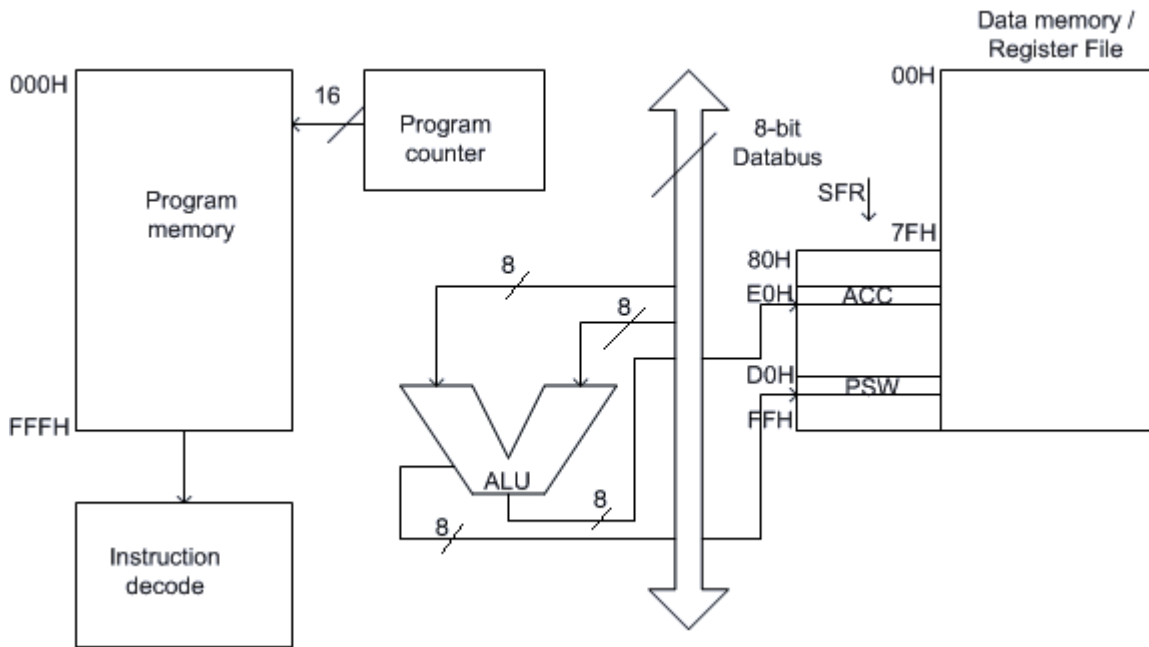


Fig 4.4 : Basic 8051 Architecture

Various features of 8051 microcontroller are given as follows.

- 8-bit CPU
- 16-bit Program Counter
- 8-bit Processor Status Word (PSW)
- 8-bit Stack Pointer
- Internal RAM of 128bytes
- Special Function Registers (SFRs) of 128 bytes
- 32 I/O pins arranged as four 8-bit ports (P0 - P3)
- Two 16-bit timer/counters : T0 and T1
- Two external and three internal vectored interrupts
- One full duplex serial I/O

8051 Clock and Instruction Cycle

In 8051, one instruction cycle consists of twelve (12) clock cycles. Instruction cycle is sometimes called as Machine cycle by some authors.

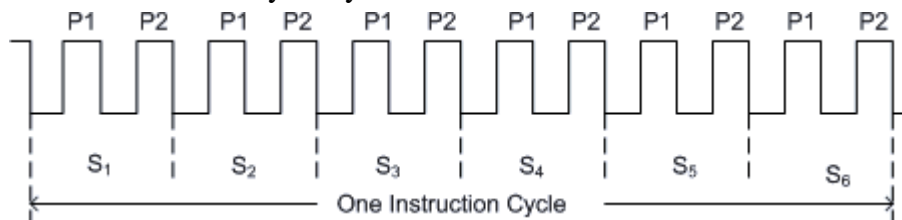


Fig 4.5 : Instruction cycle of 8051

In 8051, each instruction cycle has six states ($S_1 - S_6$). Each state has two pulses (P1 and P2)

128 bytes of Internal RAM Structure (lower address space)

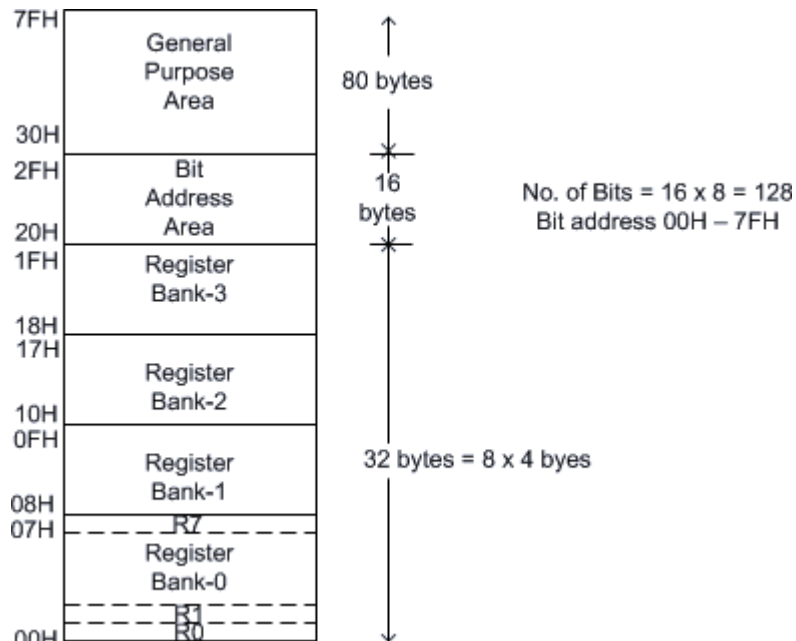


Fig 4.6: Internal RAM Structure

The lower 32 bytes are divided into 4 separate banks. Each register bank has 8 registers of one byte each. A register bank is selected depending upon two bank select bits in the PSW register. Next 16 bytes are bit addressable. In total, 128 bits (16 × 8) are available in bit addressable area. Each bit can be accessed and modified by suitable instructions. The bit addresses are from 00H (LSB of the first byte in 20H) to 7FH (MSB of the last byte in 2FH). Remaining 80 bytes of RAM are available for general purpose.

Internal Data Memory and Special Function Register (SFR) Map

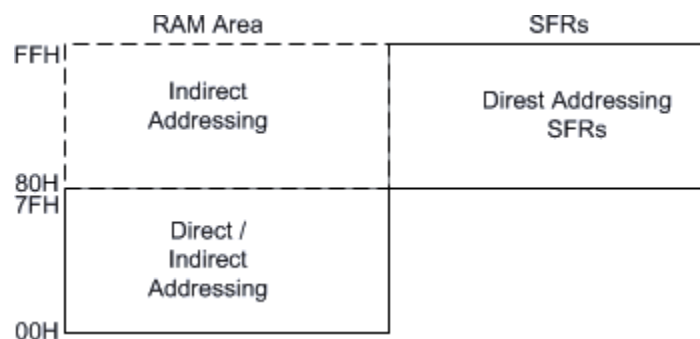


Fig 4.6 : Internal Data Memory Map

The special function registers (SFRs) are mapped in the upper 128 bytes of internal data memory address. Hence there is an address overlap between the upper 128 bytes of data RAM and SFRs. Please note that the upper 128 bytes of data RAM are present only in the 8052 family. The lower 128 bytes of RAM (00H - 7FH) can be accessed both by direct or indirect addressing while the upper 128 bytes of RAM (80H - FFH) are accessed by indirect addressing. The SFRs (80H - FFH) are accessed by direct addressing only. This feature distinguishes the upper 128 bytes of memory from the SFRs, as shown in fig 4.6.

SFR Map

The set of Special Function Registers (SFRs) contains important registers such as Accumulator, Register B, I/O Port latch registers, Stack pointer, Data Pointer, Processor Status Word (PSW) and various control registers. Some of these registers are bit addressable (they are marked with a * in the diagram below). The detailed map of various registers is shown in the following figure.

Address

F8H								
F0H	B*							
E8H								
E0H	ACC*							
D8H								
D0H	PSW*							
C8H	(T2CON)*		(RCAP2L)	(RCAP2H)	(TL2)	(TH2)		
C0H								
B8H	IP*							
B0H	P3*							
A8H	IE*							
A0H	P2*							
98H	SCON*	SBUF						
90H	P1*							
88H	TCON*	TMOD	TL0	TL1	TH0	TH1		
80H	P0*	SP	DPL	DPH				PCON

Fig 4.7: SFR Map

It should be noted that all registers appearing in the first column are bit addressable. The bit address of a bit in the register is calculated as follows.

Bit address of 'b' bit of register 'R' is

$$\text{Address of register 'R' + b}$$

$$\text{where } 0 \leq b \leq 7$$

Processor Status Word (PSW) Address=D0H

CY	AC	F0	RS1	RS0	OV	-	P
----	----	----	-----	-----	----	---	---

Fig 4.8: Processor Status Word

PSW register stores the important status conditions of the microcontroller. It also stores the bank select bits (RS1 & RS0) for register bank selection.

Interfacing External Memory

If external program/data memory are to be interfaced, they are interfaced in the following way.

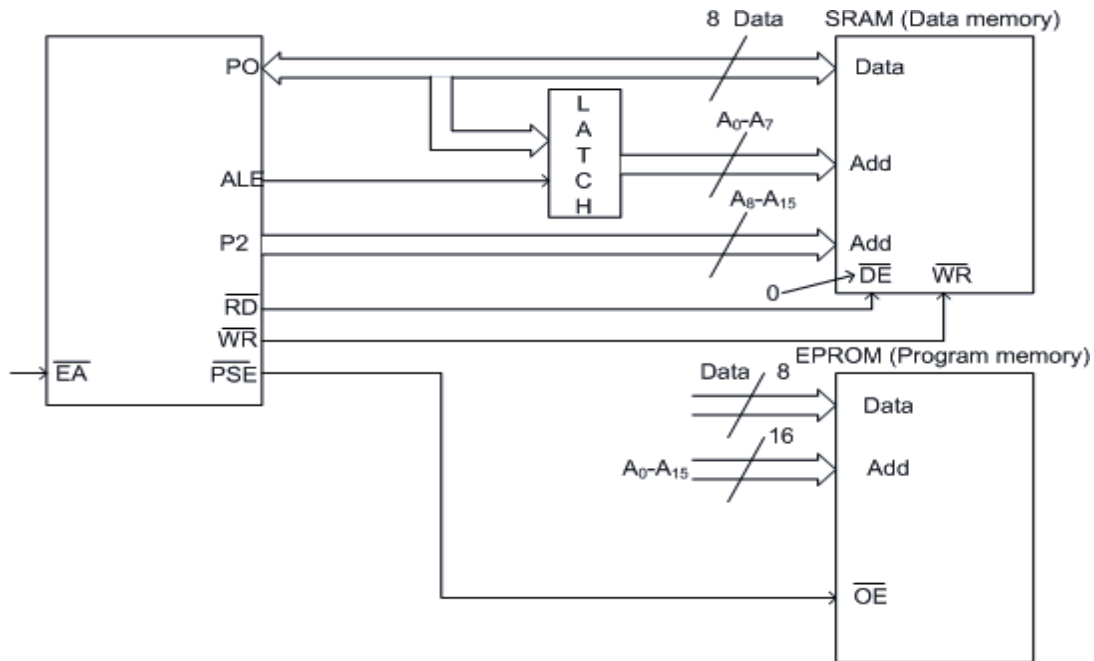


Fig 4.9: Circuit Diagram for Interfacing of External Memory

External program memory is fetched if either of the following two conditions are satisfied.

1. \overline{EA} (Enable Address) is low. The microcontroller by default starts searching for program from external program memory.
2. PC is higher than FFFH for 8051 or 1FFFH for 8052.

\overline{PSEN} tells the outside world whether the external memory fetched is program memory or data memory. \overline{EA} is user configurable. \overline{PSEN} is processor controlled.

8051 Addressing Modes

8051 has four addressing modes.

1. Immediate Addressing :

Data is immediately available in the instruction.

For example -

ADD A, #77; Adds 77 (decimal) to A and stores in A

ADD A, #4DH; Adds 4D (hexadecimal) to A and stores in A

MOV DPTR, #1000H; Moves 1000 (hexadecimal) to data pointer

2. Bank Addressing or Register Addressing :

This way of addressing accesses the bytes in the current register bank. Data is available in the register specified in the instruction. The register bank is decided by 2 bits of Processor Status Word (PSW).

For example-

ADD A, R0; Adds content of R0 to A and stores in A

3.. Direct Addressing :

The address of the data is available in the instruction.

For example -

MOV A, 088H; Moves content of SFR TCON (address 088H) to A

4. Register Indirect Addressing :

The address of data is available in the R0 or R1 registers as specified in the instruction.

For example -

MOV A, @R0 moves content of address pointed by R0 to A

External Data Addressing :

Pointer used for external data addressing can be either R0/R1 (256 byte access) or DPTR (64kbyte access).

For example -

MOVX A, @R0; Moves content of 8-bit address pointed by R0 to A

MOVX A, @DPTR; Moves content of 16-bit address pointed by DPTR to A

External Code Addressing :

Sometimes we may want to store non-volatile data into the ROM e.g. look-up tables. Such data may require reading the code memory. This may be done as follows -

MOVC A, @A+DPTR; Moves content of address pointed by A+DPTR to A

MOVC A, @A+PC; Moves content of address pointed by A+PC to A

I/O Port Configuration

Each port of 8051 has bidirectional capability. Port 0 is called 'true bidirectional port' as it floats (tristated) when configured as input. Port-1, 2, 3 are called 'quasi bidirectional port'.

Port-0 Pin Structure

Port -0 has 8 pins (P0.0-P0.7).

The structure of a Port-0 pin is shown in fig 4.10.

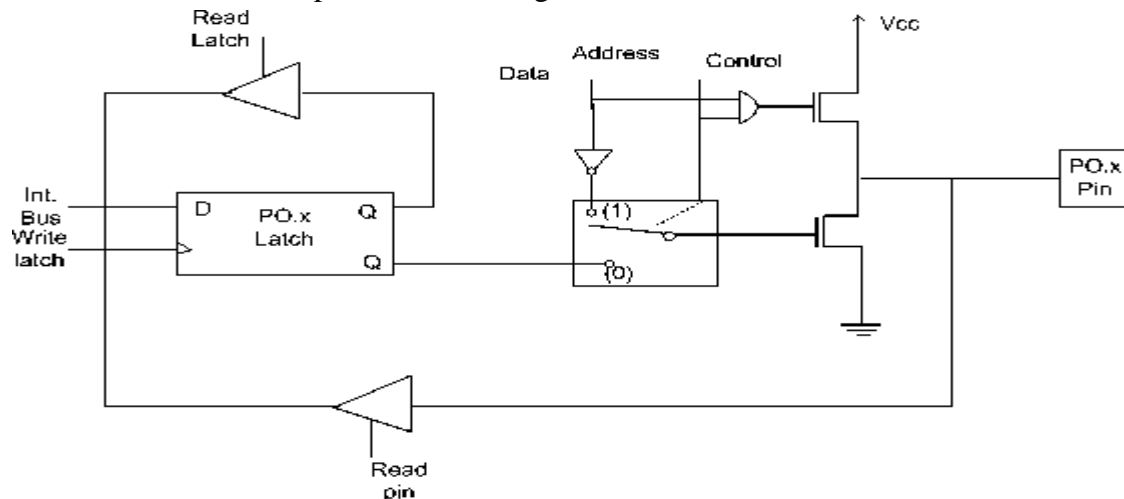


Fig 4.10: Port-0 Structure

Port-0 can be configured as a normal bidirectional I/O port or it can be used for address/data interfacing for accessing external memory. When control is '1', the port is used for address/data interfacing. When the control is '0', the port can be used as a normal bidirectional I/O port.

Let us assume that control is '0'. When the port is used as an input port, '1' is written to the latch. In this situation both the output MOSFETs are 'off'. Hence the output pin floats. This high impedance pin can be pulled up or low by an external source. When the port is used as an output port, a '1' written to the latch again turns 'off' both the output MOSFETs and causes the output pin to float. An external pull-up is required to output a '1'. But when '0' is written to the latch, the pin is pulled down by the lower MOSFET. Hence the output becomes zero.

When the control is '1', address/data bus controls the output driver MOSFETs. If the address/data bus (internal) is '0', the upper MOSFET is 'off' and the lower MOSFET is 'on'. The output becomes '0'. If the address/data bus is '1', the upper transistor is 'on' and the lower transistor is 'off'. Hence the output is '1'. Hence for normal address/data interfacing (for external memory access) no pull-up resistors are required.

Port-0 latch is written to with 1's when used for external memory access.

Port-1 Pin Structure

Port-1 has 8 pins (P1.1-P1.7). The structure of a port-1 pin is shown in fig 4.11.

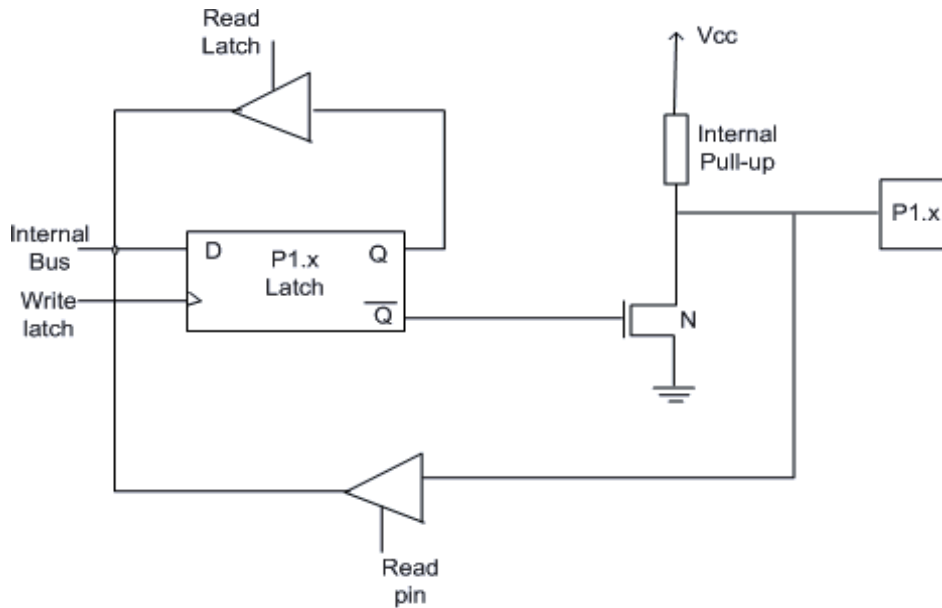


Fig 4.11 Port 1 Structure

Port-1 does not have any alternate function i.e. it is dedicated solely for I/O interfacing. When used as output port, the pin is pulled up or down through internal pull-up. To use port-1 as input port, '1' has to be written to the latch. In this input mode when '1' is written to the pin by the external device then it read fine. But when '0' is written to the pin by the external device then the external source must sink current due to internal pull-up. If the external device is not able to sink the current the pin voltage may rise, leading to a possible wrong reading.

PORT 2 Pin Structure

Port-2 has 8-pins (P2.0-P2.7) . The structure of a port-2 pin is shown in fig 4.12.

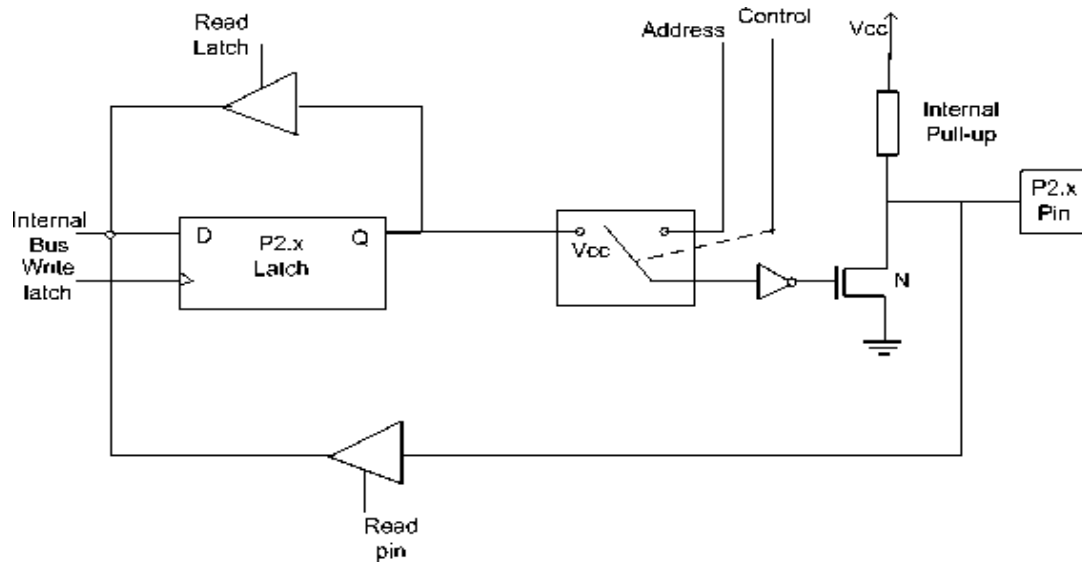


Fig 4.12 Port 2 Structure

Port-2 is used for higher external address byte or a normal input/output port. The I/O operation is similar to Port-1. Port-2 latch remains stable when Port-2 pin are used for external memory access. Here again due to internal pull-up there is limited current driving capability.

PORT 3 Pin Structure

Port-3 has 8 pin (P3.0-P3.7) . Port-3 pins have alternate functions. The structure of a port-3 pin is shown in fig 4.13.

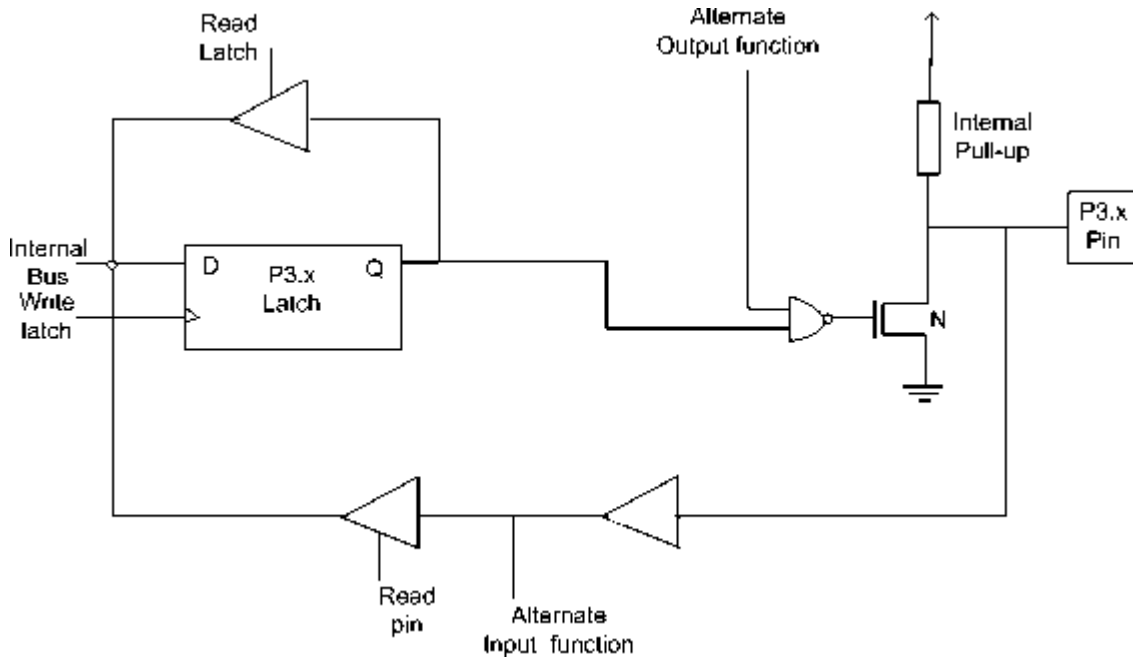


Fig 4.13 Port 3 Structure

Each pin of Port-3 can be individually programmed for I/O operation or for alternate function. The alternate function can be activated only if the corresponding latch has been

written to '1'. To use the port as input port, '1' should be written to the latch. This port also has internal pull-up and limited current driving capability.

Alternate functions of Port-3 pins are -

P3.0	RxD
P3.1	TxD
P3.2	$\overline{\text{INT0}}$
P3.3	$\overline{\text{INT1}}$
P3.4	T0
P3.5	T1
P3.6	$\overline{\text{WR}}$
P3.7	$\overline{\text{RD}}$

Note:

1. Port 1, 2, 3 each can drive 4 LS TTL inputs.
2. Port-0 can drive 8 LS TTL inputs in address /data mode. For digital output port, it needs external pull-up resistors.
3. Ports-1,2 and 3 pins can also be driven by open-collector or open-drain outputs.
4. Each Port 3 bit can be configured either as a normal I/O or as a special function bit.

Reading a port (port-pins) versus reading a latch

There is a subtle difference between reading a latch and reading the output port pin.

The status of the output port pin is sometimes dependant on the connected load. For instance if a port is configured as an output port and a '1' is written to the latch, the output pin should also show '1'. If the output is used to drive the base of a transistor, the transistor turns 'on'.

If the port pin is read, the value will be '0' which is corresponding to the base-emitter voltage of the transistor.

Reading a latch: Usually the instructions that read the latch, read a value, possibly change it, and then rewrite it to the latch. These are called "read-modify-write" instructions.

Examples of a few instructions are-

ORL P2, A; P2 <-- P2 or A

MOV P2.1, C; Move carry bit to PX.Y bit.

In this the latch value of P2 is read, is modified such that P2.1 is the same as Carry and is then written back to P2 latch.

Reading a Pin: Examples of a few instructions that read port pin, are-

MOV A, P0 ; Move port-0 pin values to A

MOV A, P1; Move port-1 pin values to A

Accessing external memory

Access to external program memory uses the signal $\overline{\text{PSEN}}$ (Program store enable) as the read strobe. Access to external data memory uses $\overline{\text{RD}}$ or $\overline{\text{WR}}$ (alternate function of P3.7 and P3.6).

For external program memory, always 16 bit address is used. For example -

MOVC A, @ A+DPTR

MOVC A, @ A+PC

Access to external data memory can be either 8-bit address or 16-bit address -

8-bit address- MOVX A, @Rp where Rp is either R0 or R1

MOVX @Rp, A

16 bit address- MOVX A, @DPTR

MOV X @DPTR, A

The external memory access in 8051 can be shown by a schematic diagram as given in fig 4.14.

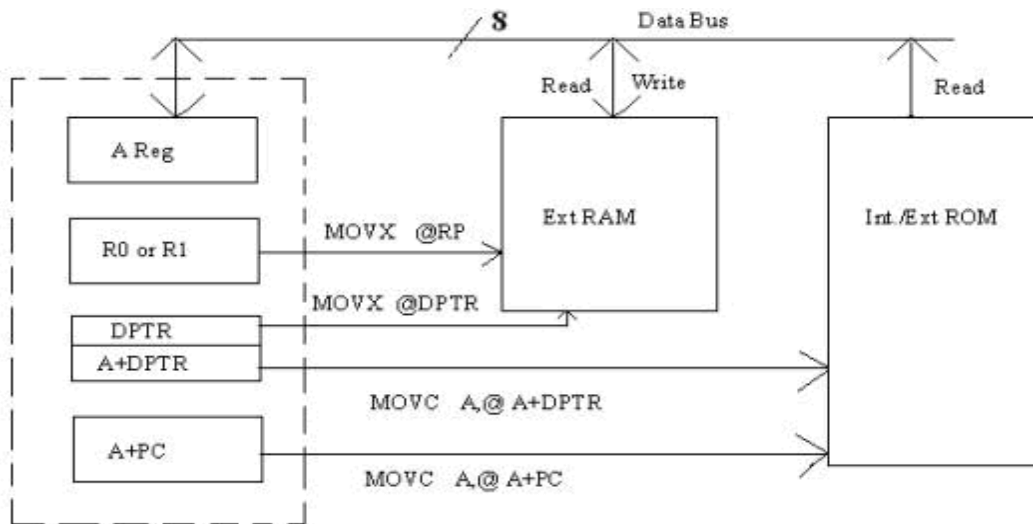


Fig 4.14 Schematic diagram of external memory access

If an 8-bit external address is used for data memory (i.e. MOVX @Rp) then the content of Port-2 SFR remains at Port-2 pins throughout the external memory cycle. This facilitates memory paging as the upper 8 bit address remains fixed.

During any access to external memory, the CPU writes FFH to Port-0 latch (SFR). If the user writes to Port-0 during an external memory fetch, the incoming byte is corrupted. External program memory is accessed under the following condition.

1. Whenever $\overline{\text{EA}}$ is low, or
2. Whenever PC contains a number higher than 0FFFH (for 8051) or 1FFF (for 8052).

Some typical use of code/program memory access:

External program memory can be not only used to store the code, but also for lookup table of various functions required for a particular application. Mathematical functions such as Sine, Square root, Exponential, etc. can be stored in the program memory (Internal or external) and these functions can be accessed using MOVC instruction.

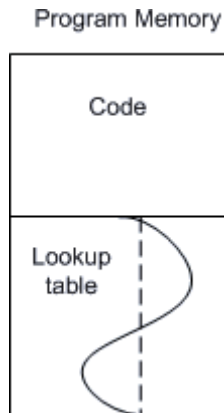


Fig 4.15 Program memory showing the storage of lookup table

Timers / Counters

8051 has two 16-bit programmable UP timers/counters. They can be configured to operate either as timers or as event counters. The names of the two counters are T0 and T1 respectively. The timer content is available in four 8-bit special function registers, viz, TL0, TH0, TL1 and TH1 respectively.

In the "timer" function mode, the counter is incremented in every machine cycle. Thus, one can think of it as counting machine cycles. Hence the clock rate is 1/12 th of the oscillator frequency.

In the "counter" function mode, the register is incremented in response to a 1 to 0 transition at its corresponding external input pin (T0 or T1). It requires 2 machine cycles to detect a high to low transition. Hence maximum count rate is 1/24 th of oscillator frequency.

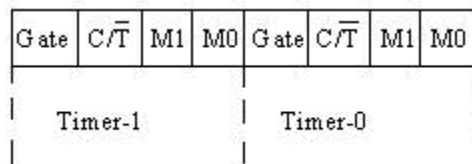
The operation of the timers/counters is controlled by two special function registers, TMOD and TCON respectively.

Timer Mode control (TMOD) Special Function Register:

TMOD register is not bit addressable.

TMOD

Address: 89 H



Various bits of TMOD are described as follows -

Gate: This is an OR Gate enabled bit which controls the effect of $\overline{INT1}/\overline{INT0}$ on START/STOP of Timer. It is set to one ('1') by the program to enable the interrupt to start/stop the timer. If TR1/0 in TCON is set and signal on $\overline{INT1}/\overline{INT0}$ pin is high then the timer starts counting using either internal clock (timer mode) or external pulses (counter mode).

C/T: It is used for the selection of Counter/Timer mode.

Mode Select Bits:

M1	M0	Mode
0	0	Mode 0
0	1	Mode 1
1	0	Mode 2
1	1	Mode 3

M1 and M0 are mode select bits.

Timer/ Counter control logic:

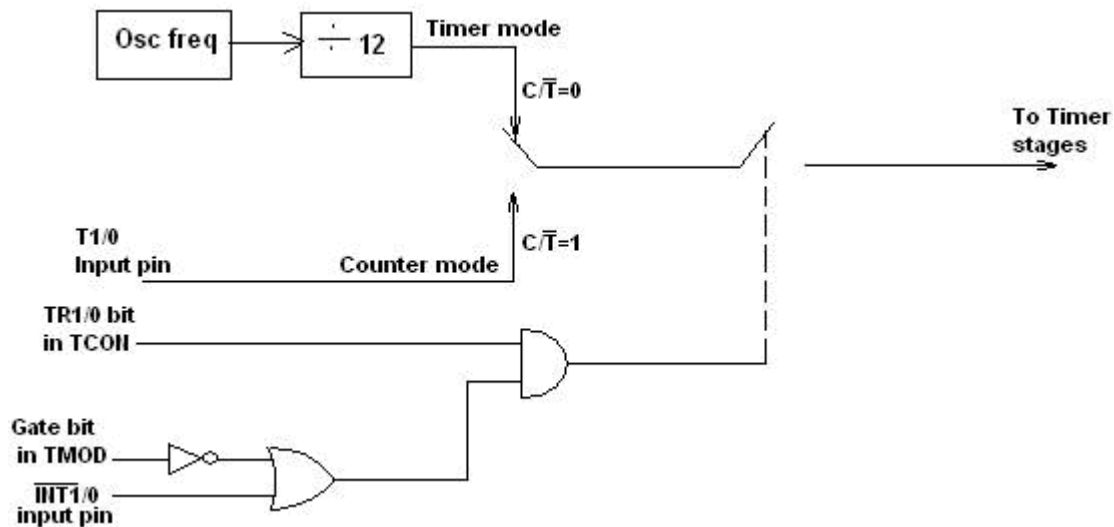


Fig 4.16 Timer/Counter Control Logic

Timer control (TCON) Special function register:

TCON is bit addressable. The address of TCON is 88H. It is partly related to Timer and partly to interrupt.



Fig 4.17 TCON Register

The various bits of TCON are as follows.

TF1 : Timer1 overflow flag. It is set when timer rolls from all 1s to 0s. It is cleared when processor vectors to execute ISR located at address 001BH.

TR1 : Timer1 run control bit. Set to 1 to start the timer / counter.

TF0 : Timer0 overflow flag. (Similar to TF1)

TR0 : Timer0 run control bit.

IE1 : Interrupt1 edge flag. Set by hardware when an external interrupt edge is detected. It is cleared when interrupt is processed.

IE0 : Interrupt0 edge flag. (Similar to IE1)

IT1 : Interrupt1 type control bit. Set/ cleared by software to specify falling edge / low level triggered external interrupt.

IT0 : Interrupt0 type control bit. (Similar to IT1)

As mentioned earlier, Timers can operate in four different modes. They are as follows

Timer Mode-0:

In this mode, the timer is used as a 13-bit UP counter as follows.

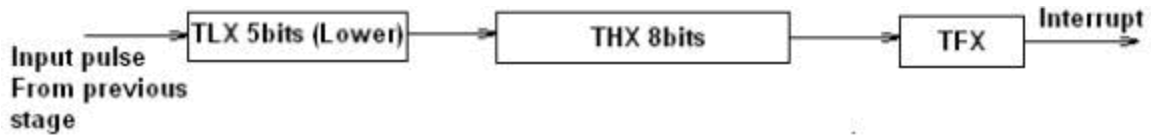


Fig. 4.18 Operation of Timer on Mode-0

The lower 5 bits of TLX and 8 bits of THX are used for the 13 bit count. Upper 3 bits of TLX are ignored. When the counter rolls over from all 0's to all 1's, TFX flag is set and an interrupt is generated.

The input pulse is obtained from the previous stage. If TR1/0 bit is 1 and Gate bit is 0, the counter continues counting up. If TR1/0 bit is 1 and Gate bit is 1, then the operation of the counter is controlled by \overline{INTX} input. This mode is useful to measure the width of a given pulse fed to \overline{INTX} input.

Timer Mode-1:

This mode is similar to mode-0 except for the fact that the Timer operates in 16-bit mode.

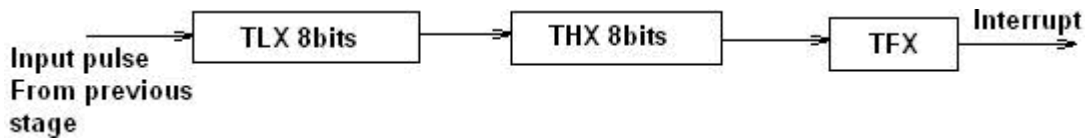


Fig 4.19 Operation of Timer in Mode 1

Timer Mode-2: (Auto-Reload Mode)

This is a 8 bit counter/timer operation. Counting is performed in TLX while THX stores a constant value. In this mode when the timer overflows i.e. TLX becomes FFH, it is fed with the value stored in THX. For example if we load THX with 50H then the timer in mode 2 will count from 50H to FFH. After that 50H is again reloaded. This mode is useful in applications like fixed time sampling.

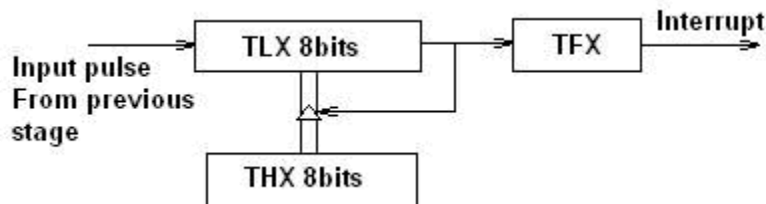


Fig 4.20 Operation of Timer in Mode 2

Timer Mode-3:

Timer 1 in mode-3 simply holds its count. The effect is same as setting TR1=0. Timer0 in mode-3 establishes TL0 and TH0 as two separate counters.

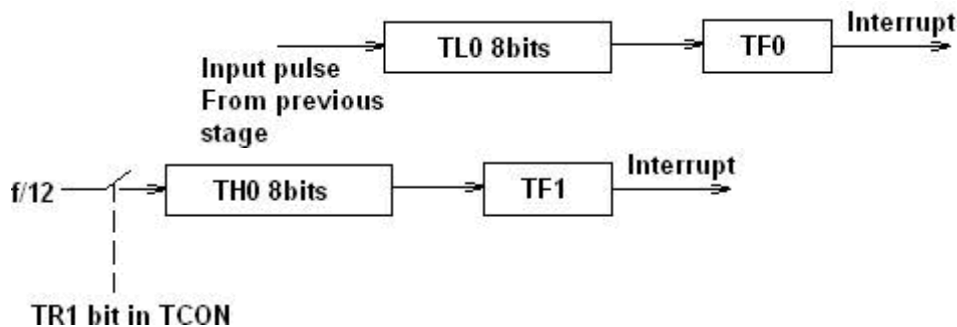


Fig 4.21 Operation of Timer in Mode 3

Control bits TR1 and TF1 are used by Timer-0 (higher 8 bits) (TH0) in Mode-3 while TR0 and TF0 are available to Timer-0 lower 8 bits(TL0).

Interrupts

8051 provides 5 vectored interrupts. They are -

1. $\overline{INT0}$
2. TFO
3. $\overline{INT1}$
4. TF1
5. RI/TI

Out of these, $\overline{INT0}$ and $\overline{INT1}$ are external interrupts whereas Timer and Serial port interrupts are generated internally. The external interrupts could be negative edge triggered or low level triggered. All these interrupt, when activated, set the corresponding interrupt flags. Except for serial interrupt, the interrupt flags are cleared when the processor branches to the Interrupt Service Routine (ISR). The external interrupt flags are cleared on branching to Interrupt Service Routine (ISR), provided the interrupt is negative edge triggered. For low level triggered external interrupt as well as for serial interrupt, the corresponding flags have to be cleared by software by the programmer.

The schematic representation of the interrupts is as follows -

Interrupt

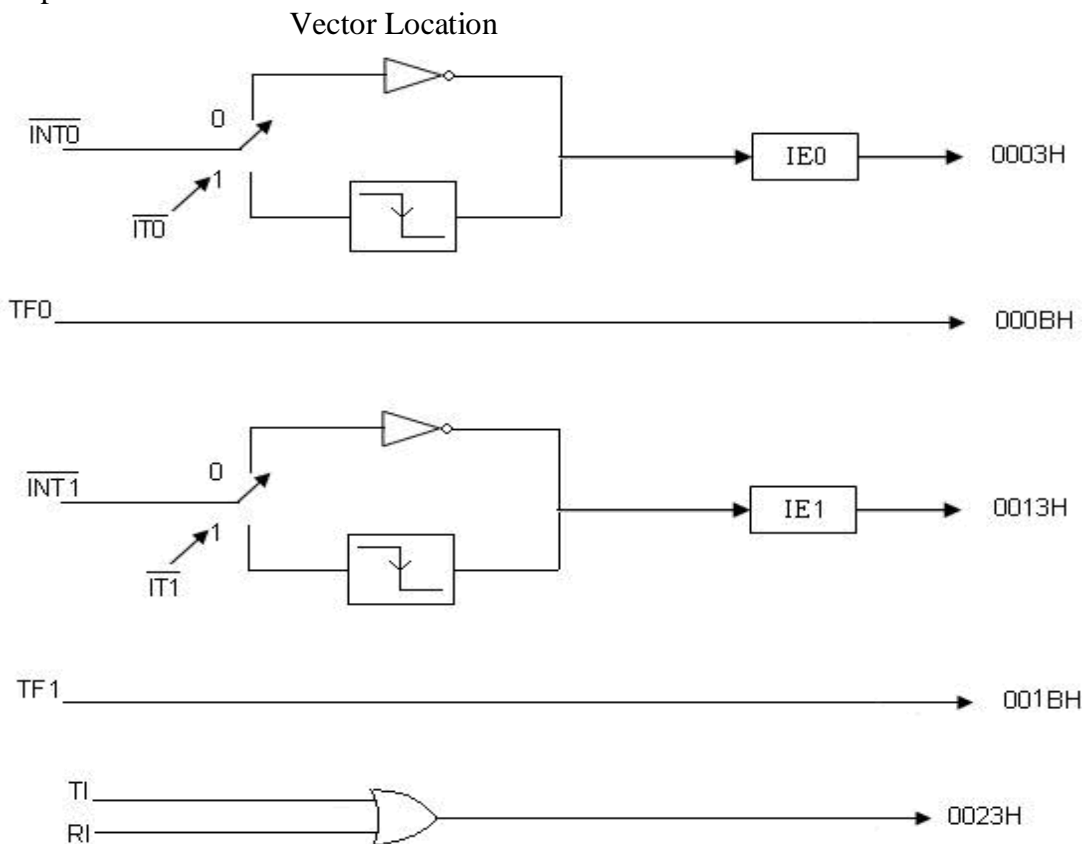
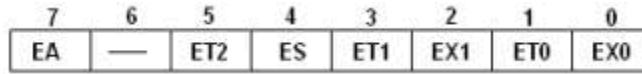


Fig 4.22 8051 Interrupt Details

Each of these interrupts can be individually enabled or disabled by 'setting' or 'clearing' the corresponding bit in the IE (Interrupt Enable Register) SFR. IE contains a global enable bit EA which enables/disables all interrupts at once.

Interrupt Enable register (IE): Address: A8H



EX0 $\overline{\text{INT0}}$ interrupt (External) enable bit

ET0 Timer-0 interrupt enable bit

EX1 $\overline{\text{INT1}}$ interrupt (External) enable bit

ET1 Timer-1 interrupt enable bit

ES Serial port interrupt enable bit

ET2 Timer-2 interrupt enable bit

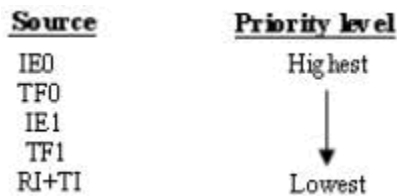
EA Enable/Disable all

Setting '1' Enable the corresponding interrupt

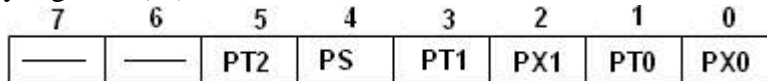
Setting '0' Disable the corresponding interrupt

Priority level structure:

Each interrupt source can be programmed to have one of the two priority levels by setting (high priority) or clearing (low priority) a bit in the IP (Interrupt Priority) Register . A low priority interrupt can itself be interrupted by a high priority interrupt, but not by another low priority interrupt. If two interrupts of different priority levels are received simultaneously, the request of higher priority level is served. If the requests of the same priority level are received simultaneously, an internal polling sequence determines which request is to be serviced. Thus, within each priority level, there is a second priority level determined by the polling sequence, as follows.



Interrupt Priority register (IP)



'0' low priority

'1' high priority

Interrupt handling:

The interrupt flags are sampled at P2 of S5 of every instruction cycle (Note that every instruction cycle has six states each consisting of P1 and P2 pulses). The samples are polled

during the next machine cycle (or instruction cycle). If one of the flags was set at S5P2 of the preceding instruction cycle, the polling detects it and the interrupt process generates a long call (LCALL) to the appropriate vector location of the interrupt. The LCALL is generated provided this hardware generated LCALL is not blocked by any one of the following conditions.

1. An interrupt of equal or higher priority level is already in progress.
2. The current polling cycle is not the final cycle in the execution of the instruction in progress.
3. The instruction in progress is RETI or any write to IE or IP registers.

When an interrupt comes and the program is directed to the interrupt vector address, the Program Counter (PC) value of the interrupted program is stored (pushed) on the stack. The required Interrupt Service Routine (ISR) is executed. At the end of the ISR, the instruction RETI returns the value of the PC from the stack and the originally interrupted program is resumed.

Reset is a non-maskable interrupt. A reset is accomplished by holding the RST pin high for at least two machine cycles. On resetting the program starts from 0000H and some flags are modified as follows -

Register	Value(Hex) on Reset
PC	0000H
DPTR	0000H
A	00H
B	00H
SP	07H
PSW	00H
Ports P0-3 Latches	FFH
IP	XXX 00000 b
IE	0 XX 00000 b
TCON	00H
TMOD	00H
TH0	00H
TL0	00H
TH1	00H
TL1	00H
SCON	00H
SBUF	XX H
PCON	0 XXXX XXX b

The schematic diagram of the detection and processing of interrupts is given as follows.

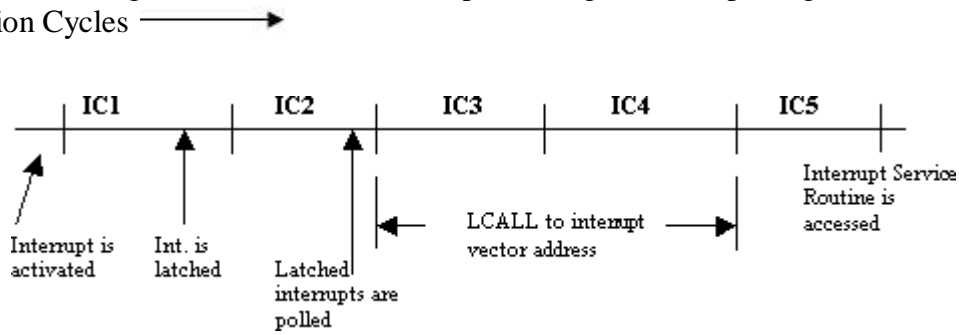


Fig 4.23 Interrupt Handling in 8051

It should be noted that the interrupt which is blocked due to the three conditions mentioned before is not remembered unless the flag that generated interrupt is not still active when the above blocking conditions are removed, i.e., every polling cycle is new.

Jump and Call Instructions

There are 3 types of jump instructions. They are:-

1. Relative Jump
2. Short Absolute Jump
3. Long Absolute Jump

Relative Jump

Jump that replaces the PC (program counter) content with a new address that is greater than (the address following the jump instruction by 127 or less) or less than (the address following the jump by 128 or less) is called a relative jump. Schematically, the relative jump can be shown as follows: -

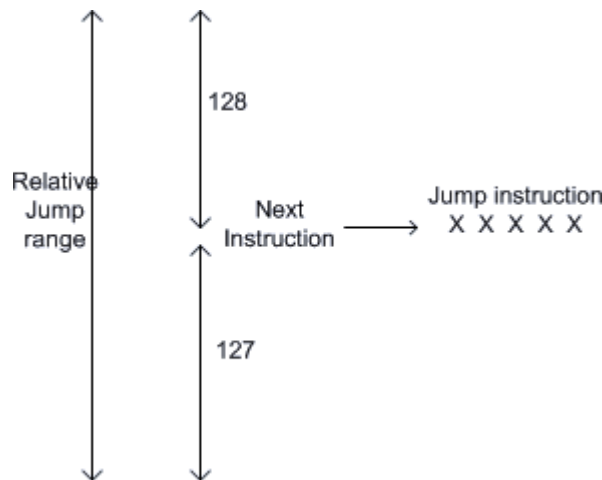


Fig 4.24 Relative Jump

The advantages of the relative jump are as follows:-

1. Only 1 byte of jump address needs to be specified in the 2's complement form, ie. For jumping ahead, the range is 0 to 127 and for jumping back, the range is -

- 1 to -128.
2. Specifying only one byte reduces the size of the instruction and speeds up program execution.
3. The program with relative jumps can be relocated without reassembling to generate absolute jump addresses.

Disadvantages of the absolute jump: -

1. Short jump range (-128 to 127 from the instruction following the jump instruction)

Instructions that use Relative Jump

SJMP <relative address>

(The remaining relative jumps are conditional jumps)

JC <relative address>

JNC <relative address>

JB bit, <relative address>

JNB bit, <relative address>

JBC bit, <relative address>

CJNE <destination byte>, <source byte>, <relative address>

DJNZ <byte>, <relative address>

JZ <relative address>

JNZ <relative address>

Short Absolute Jump

In this case only 11 bits of the absolute jump address are needed. The absolute jump address is calculated in the following manner.

In 8051, 64 kbyte of program memory space is divided into 32 pages of 2 kbyte each. The hexadecimal addresses of the pages are given as follows:-

Page (Hex)	Address (Hex)
00	0000 - 07FF
01	0800 - 0FFF
02	1000 - 17FF
03	1800 - 1FFF
.	.
1E	F000 - F7FF
1F	F800 - FFFF

It can be seen that the upper 5bits of the program counter(PC) hold the page number and the lower 11bits of the PC hold the address within that page. Thus, an absolute address is formed by taking page numbers of the instruction (from the program counter) following the jump and attaching the specified 11bits to it to form the 16-bit address.

Advantage: The instruction length becomes 2 bytes.

However, difficulty is encountered when the next instruction following the jump instruction begins from a fresh page (at X000H or at X800H). This does not give any

problem for the forward jump, but results in an error for the backward jump. In such a case the assembler prompts the user to relocate the program suitably.

Example of short absolute jump: -

ACALL <address 11>

AJMP <address 11>

Long Absolute Jump/Call

Applications that need to access the entire program memory from 0000H to FFFFH use long absolute jump. Since the absolute address has to be specified in the op-code, the instruction length is 3 bytes (except for JMP @ A+DPTR). This jump is not relocatable.

Example: -

LCALL <address 16>

LJMP <address 16>

JMP @A+DPTR

Serial Interface

The serial port of 8051 is full duplex, i.e., it can transmit and receive simultaneously.

The register SBUF is used to hold the data. The special function register SBUF is physically two registers. One is, write-only and is used to hold data to be transmitted out of the 8051 via TXD. The other is, read-only and holds the received data from external sources via RXD. Both mutually exclusive registers have the same address 099H.

Serial Port Control Register (SCON)

Register SCON controls serial data communication.

Address: 098H (Bit addressable)

SM0	SM1	SM2	REN	TB8	RB8	TI	RI
------------	------------	------------	------------	------------	------------	-----------	-----------

Mode select bits

SM0	SM1	Mode
0	0	Mode 0
0	1	Mode 1
1	0	Mode 2
1	1	Mode 3

SM2: multi processor communication bit

REN: Receive enable bit

TB8: Transmitted bit 8 (Normally we have 0-7 bits transmitted/received)

RB8: Received bit 8

TI: Transmit interrupt flag

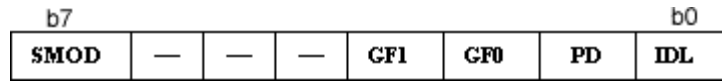
RI: Receive interrupt flag

Power Mode control Register

Register PCON controls processor powerdown, sleep modes and serial data bandrate.

Only one bit of PCON is used with respect to serial communication. The seventh bit (b7)(SMOD) is used to generate the baud rate of serial communication.

Address: 87H



SMOD: Serial baud rate modify bit

GF1: General purpose user flag bit 1

GF0: General purpose user flag bit 0

PD: Power down bit

IDL: Idle mode bit

Data Transmission

Transmission of serial data begins at any time when data is written to SBUF. Pin P3.1 (Alternate function bit TXD) is used to transmit data to the serial data network. TI is set to 1 when data has been transmitted. This signifies that SBUF is empty so that another byte can be sent.

Data Reception

Reception of serial data begins if the receive enable bit is set to 1 for all modes. Pin P3.0 (Alternate function bit RXD) is used to receive data from the serial data network. Receive interrupt flag, RI, is set after the data has been received in all modes. The data gets stored in SBUF register from where it can be read.

Serial Data Transmission Modes:

Mode-0: In this mode, the serial port works like a shift register and the data transmission works synchronously with a clock frequency of $f_{osc}/12$. Serial data is received and transmitted through RXD. 8 bits are transmitted/ received at a time. Pin TXD outputs the shift clock pulses of frequency $f_{osc}/12$, which is connected to the external circuitry for synchronization. The shift frequency or baud rate is always 1/12 of the oscillator frequency.

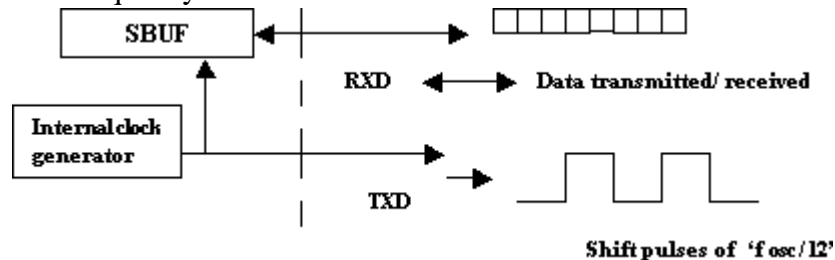


Fig 4.25 Data transmission/reception in Mode-0

Mode-1 (standard UART mode) :

In mode-1, the serial port functions as a standard Universal Asynchronous Receiver Transmitter (UART) mode. 10 bits are transmitted through TXD or received through RXD. The 10 bits consist of one start bit (which is usually '0'), 8 data bits (LSB is sent first/received first), and a stop bit (which is usually '1'). Once received, the stop bit goes into RB8 in the special function register SCON. The baud rate is variable.

The following figure shows the way the bits are transmitted/ received.

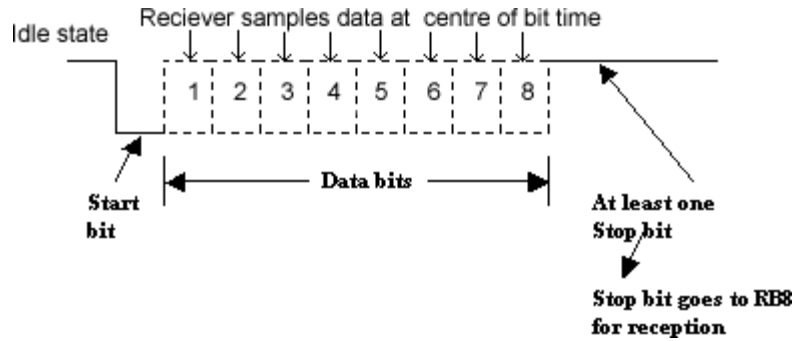


Fig 4.26 Data transmission format in UART mode

Bit time = $1/f_{\text{baud}}$

In receiving mode, data bits are shifted into the receiver at the programmed baud rate. The data word (8-bits) will be loaded to SBUF if the following conditions are true.

1. RI must be zero. (i.e., the previously received byte has been cleared from SBUF)
2. Mode bit SM2 = 0 or stop bit = 1.

After the data is received and the data byte has been loaded into SBUF, RI becomes one.

Mode-1 baud rate generation:

Timer-1 is used to generate baud rate for mode-1 serial communication by using overflow flag of the timer to determine the baud frequency. Timer-1 is used in timer mode-2 as an auto-reload 8-bit timer. The data rate is generated by timer-1 using the following formula.

$$f_{\text{baud}} = \frac{2^{\text{SMOD}}}{32} \times \frac{f_{\text{osc}}}{12 \times [256 - (\text{TH1})]}$$

Where,

SMOD is the 7th bit of PCON register

f_{osc} is the crystal oscillator frequency of the microcontroller

It can be noted that $f_{\text{osc}} / (12 \times [256 - (\text{TH1})])$ is the timer overflow frequency in timer mode-2, which is the auto-reload mode.

If timer-1 is not run in mode-2, then the baud rate is,

$$f_{\text{baud}} = \frac{2^{\text{SMOD}}}{32} \times (\text{timer-1 overflow frequency})$$

Timer-1 can be run using the internal clock, $f_{\text{osc}}/12$ (timer mode) or from any external source via pin T1 (P3.5) (Counter mode).

Example: If standard baud rate is desired, then 11.0592 MHz crystal could be selected. To get a standard 9600 baud rate, the setting of TH1 is calculated as follows.

Assuming SMOD to be '0'

$$9600 = \frac{2^0}{32} \times \frac{11.0592 \times 10^6}{12 \times (256 - \text{TH1})}$$

Or,

$$256 - \text{TH1} = \frac{1}{32} \times \frac{11.0592 \times 10^6}{12 \times 9600} = 3$$

Or,

$$TH1 = 256 - 3 = 253 = FDH$$

In mode-1, if SM2 is set to 1, no receive interrupt (RI) is generated unless a valid stop bit is received.

Serial Data Mode-2 - Multiprocessor Mode :

In this mode 11 bits are transmitted through TXD or received through RXD. The various bits are as follows: a start bit (usually '0'), 8 data bits (LSB first), a programmable 9th (TB8 or RB8) bit and a stop bit (usually '1').

While transmitting, the 9th data bit (TB8 in SCON) can be assigned the value '0' or '1'. For example, if the information of parity is to be transmitted, the parity bit (P) in PSW could be moved into TB8. On reception of the data, the 9th bit goes into RB8 in 'SCON', while the stop bit is ignored. The baud rate is programmable to either 1/32 or 1/64 of the oscillator frequency.

$$f_{\text{baud}} = (2^{\text{SMOD}} / 64) f_{\text{osc.}}$$

Mode-3 - Multi processor mode with variable baud rate :

In this mode 11 bits are transmitted through TXD or received through RXD. The various bits are: a start bit (usually '0'), 8 data bits (LSB first), a programmable 9th bit and a stop bit (usually '1').

Mode-3 is same as mode-2, except the fact that the baud rate in mode-3 is variable (i.e., just as in mode-1).

$$f_{\text{baud}} = (2^{\text{SMOD}} / 32) * (f_{\text{osc}} / 12 (256 - TH1)) .$$

This baudrate holds when Timer-1 is programmed in Mode-2.

Operation in Multiprocessor mode :

8051 operates in multiprocessor mode for serial communication Mode-2 and Mode-3. In multiprocessor mode, a Master processor can communicate with more than one slave processors. The connection diagram of processors communicating in Multiprocessor mode is given in fig 4.27.

The Master communicates with one slave at a time. 11 bits are transmitted by the Master, viz, One start bit (usually '0'), 8 data bits (LSB first), TB8 and a stop bit (usually '1'). TB8 is '1' for an address byte and '0' for a data byte.

If the Master wants to communicate with certain slave, it first sends the address of the slave with TB8=1. This address is received by all the slaves. Slaves initially have their SM2 bit set to '1'. All slaves check this address and the slave who is being addressed, responds by clearing its SM2 bit to '0' so that the data bytes can be received.

It should be noted that in Mode 2&3, receive interrupt flag RI is set if REN=1, RI=0 and the following condition is true.

1. SM2=1 and RB8=1 and a valid stop bit is received. Or
2. SM2=0 and a valid stop bit is received.

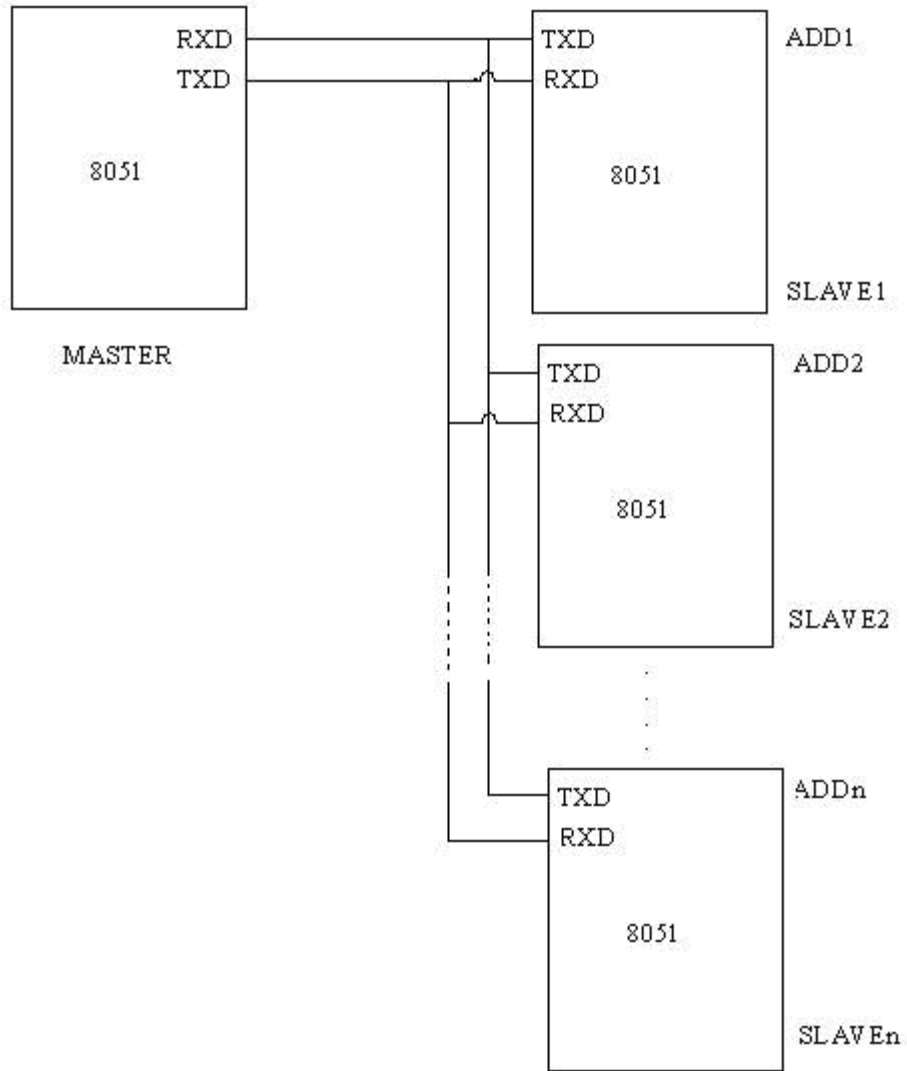


Fig 4.27 8051 in Multiprocessor Communication

After the communication between the Master and a slave has been established, the data bytes are sent by the Master with TB8=0. Hence other slaves do not respond /get interrupted by this data as their SM2 is pulled high (1).

Power saving modes of operation :

8051 has two power saving modes. They are -

1. Idle Mode
2. Power Down mode.

The two power saving modes are entered by setting two bits IDL and PD in the special function register (PCON) respectively.

The structure of PCON register is as follows.

PCON: Address 87H

SMOD				GF1	GFO	PD	IDL
------	--	--	--	-----	-----	----	-----

The schematic diagram for 'Power down' mode and 'Idle' mode is given as follows:

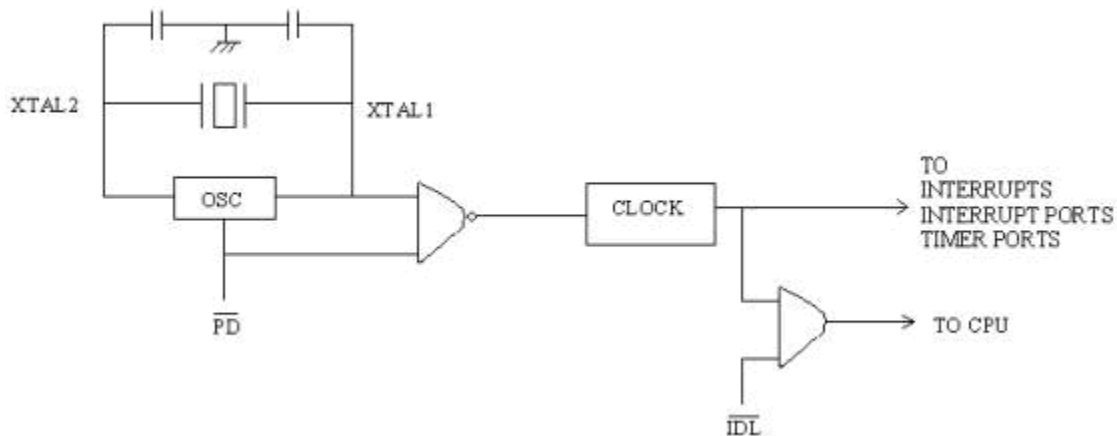


Fig 4.28 Schematic diagram for Power Down and Idle mode implementation

Idle Mode

Idle mode is entered by setting IDL bit to 1 (i.e., $\overline{IDL} = 0$). The clock signal is gated off to CPU, but not to the interrupt, timer and serial port functions. The CPU status is preserved entirely. SP, PC, PSW, Accumulator and other registers maintain their data during IDLE mode. The port pins hold their logical states they had at the time Idle was initiated. ALE and \overline{PSEN} are held at logic high levels.

Ways to exit Idle Mode:

1. Activation of any enabled interrupt will clear PCON.0 bit and hence the Idle Mode is exited. The program goes to the Interrupt Service Routine (ISR). After RETI is executed at the end of the ISR, the next instruction will start from the one following the instruction that enabled Idle Mode.
2. A hardware reset exits the idle mode. The CPU starts from the instruction following the instruction that invoked the 'Idle' mode.

Power Down Mode:

The Power down Mode is entered by setting the PD bit to 1. The internal clock to the entire microcontroller is stopped (frozen). However, the program is not dead. The Power down Mode is exited (PCON.1 is cleared to 0) by Hardware Reset only. The CPU starts from the next instruction where the Power down Mode was invoked. Port values are not changed/ overwritten in power down mode. V_{cc} can be reduced to as low as 2V in PowerDown mode. However, V_{cc} has to be restored to normal value before PowerDown mode is exited.

8051 Instructions

8051 has about 111 instructions. These can be grouped into the following categories

1. Arithmetic Instructions
2. Logical Instructions
3. Data Transfer instructions
4. Boolean Variable Instructions
5. Program Branching Instructions

The following nomenclatures for register, data, address and variables are used while write instructions.

A: Accumulator

B: "B" register

C: Carry bit

Rn: Register R0 - R7 of the currently selected register bank

Direct: 8-bit internal direct address for data. The data could be in lower 128bytes of RAM (00 - 7FH) or it could be in the special function register (80 - FFH).

@Ri: 8-bit external or internal RAM address available in register R0 or R1. This is used for indirect addressing mode.

#data8: Immediate 8-bit data available in the instruction.

#data16: Immediate 16-bit data available in the instruction.

Addr11: 11-bit destination address for short absolute jump. Used by instructions AJMP & ACALL. Jump range is 2 kbyte (one page).

Addr16: 16-bit destination address for long call or long jump.

Rel: 2's complement 8-bit offset (one - byte) used for short jump (SJMP) and all conditional jumps.

bit: Directly addressed bit in internal RAM or SFR

Arithmetic Instructions

Mnemonics	Description	Bytes	Instruction Cycles
ADD A, Rn	$A \leftarrow A + Rn$	1	1
ADD A, direct	$A \leftarrow A + (\text{direct})$	2	1
ADD A, @Ri	$A \leftarrow A + @Ri$	1	1
ADD A, #data	$A \leftarrow A + \text{data}$	2	1
ADDC A, Rn	$A \leftarrow A + Rn + C$	1	1
ADDC A, direct	$A \leftarrow A + (\text{direct}) + C$	2	1
ADDC A, @Ri	$A \leftarrow A + @Ri + C$	1	1
ADDC A, #data	$A \leftarrow A + \text{data} + C$	2	1
DA A	Decimal adjust accumulator	1	1
DIV AB	Divide A by B $A \leftarrow \text{quotient}$ $B \leftarrow \text{remainder}$	1	4
DEC A	$A \leftarrow A - 1$	1	1
DEC Rn	$Rn \leftarrow Rn - 1$	1	1
DEC direct	$(\text{direct}) \leftarrow (\text{direct}) - 1$	2	1

DEC @Ri	@Ri ← @Ri - 1	1	1
INC A	A ← A+1	1	1
INC Rn	Rn ← Rn + 1	1	1
INC direct	(direct) ← (direct) + 1	2	1
INC @Ri	@Ri ← @Ri +1	1	1
INC DPTR	DPTR ← DPTR +1	1	2
MUL AB	Multiply A by B A ← low byte (A*B) B ← high byte (A* B)	1	4
SUBB A, Rn	A ← A - Rn - C	1	1
SUBB A, direct	A ← A - (direct) - C	2	1
SUBB A, @Ri	A ← A - @Ri - C	1	1
SUBB A, #data	A ← A - data - C	2	1

Logical Instructions

Mnemonics	Description	Bytes	Instruction Cycles
ANL A, Rn	A ← A AND Rn	1	1
ANL A, direct	A ← A AND (direct)	2	1
ANL A, @Ri	A ← A AND @Ri	1	1
ANL A, #data	A ← A AND data	2	1
ANL direct, A	(direct) ← (direct) AND A	2	1
ANL direct, #data	(direct) ← (direct) AND data	3	2
CLR A	A ← 00H	1	1
CPL A	A ← A	1	1
ORL A, Rn	A ← A OR Rn	1	1
ORL A, direct	A ← A OR (direct)	1	1
ORL A, @Ri	A ← A OR @Ri	2	1
ORL A, #data	A ← A OR data	1	1
ORL direct, A	(direct) ← (direct) OR A	2	1
ORL direct, #data	(direct) ← (direct) OR data	3	2
RL A	Rotate accumulator left	1	1
RLC A	Rotate accumulator left through carry	1	1
RR A	Rotate accumulator right	1	1
RRC A	Rotate accumulator right through carry	1	1
SWAP A	Swap nibbles within Acumulator	1	1
XRL A, Rn	A ← A EXOR Rn	1	1
XRL A, direct	A ← A EXOR (direct)	1	1
XRL A, @Ri	A ← A EXOR @Ri	2	1
XRL A, #data	A ← A EXOR data	1	1

XRL direct, A	(direct) \leftarrow (direct) EXOR A	2	1
XRL direct, #data	(direct) \leftarrow (direct) EXOR data	3	2

Data Transfer Instructions

Mnemonics	Description	Bytes	Instruction Cycles
MOV A, Rn	$A \leftarrow Rn$	1	1
MOV A, direct	$A \leftarrow$ (direct)	2	1
MOV A, @Ri	$A \leftarrow @Ri$	1	1
MOV A, #data	$A \leftarrow$ data	2	1
MOV Rn, A	$Rn \leftarrow A$	1	1
MOV Rn, direct	$Rn \leftarrow$ (direct)	2	2
MOV Rn, #data	$Rn \leftarrow$ data	2	1
MOV direct, A	(direct) \leftarrow A	2	1
MOV direct, Rn	(direct) \leftarrow Rn	2	2
MOV direct1, direct2	(direct1) \leftarrow (direct2)	3	2
MOV direct, @Ri	(direct) \leftarrow @Ri	2	2
MOV direct, #data	(direct) \leftarrow #data	3	2
MOV @Ri, A	@Ri \leftarrow A	1	1
MOV @Ri, direct	@Ri \leftarrow (direct)	2	2
MOV @Ri, #data	@Ri \leftarrow data	2	1
MOV DPTR, #data16	DPTR \leftarrow data16	3	2
MOVC A, @A+DPTR	$A \leftarrow$ Code byte pointed by A + DPTR	1	2
MOVC A, @A+PC	$A \leftarrow$ Code byte pointed by A + PC	1	2
MOVC A, @Ri	$A \leftarrow$ Code byte pointed by Ri 8-bit address)	1	2
MOVX A, @DPTR	$A \leftarrow$ External data pointed by DPTR	1	2
MOVX @Ri, A	@Ri \leftarrow A (External data - 8bit address)	1	2
MOVX @DPTR, A	@DPTR \leftarrow A (External data - 16bit address)	1	2
PUSH direct	(SP) \leftarrow (direct)	2	2

POP direct	(direct) \leftarrow (SP)	2	2
XCH Rn	Exchange A with Rn	1	1
XCH direct	Exchange A with direct byte	2	1
XCH @Ri	Exchange A with indirect RAM	1	1
XCHD A, @Ri	Exchange least significant nibble of A with that of indirect RAM	1	1

Boolean Variable Instructions

Mnemonics	Description	Bytes	Instruction Cycles
CLR C	C-bit \leftarrow 0	1	1
CLR bit	bit \leftarrow 0	2	1
SET C	C \leftarrow 1	1	1
SET bit	bit \leftarrow 1	2	1
CPL C	C \leftarrow $\overline{\text{C-bit}}$	1	1
CPL bit	bit \leftarrow $\overline{\text{bit}}$	2	1
ANL C, /bit	C \leftarrow C . $\overline{\text{bit}}$	2	1
ANL C, bit	C \leftarrow C . bit	2	1
ORL C, /bit	C \leftarrow C + $\overline{\text{bit}}$	2	1
ORL C, bit	C \leftarrow C + bit	2	1
MOV C, bit	C \leftarrow bit	2	1
MOV bit, C	bit \leftarrow C	2	2

Program Branching Instructions

Mnemonics	Description	Bytes	Instruction Cycles
ACALL addr11	PC + 2 \rightarrow (SP) ; addr 11 \rightarrow PC	2	2
AJMP addr11	Addr11 \rightarrow PC	2	2
CJNE A, direct, rel	Compare with A, jump (PC + rel) if not equal	3	2
CJNE A, #data, rel	Compare with A, jump (PC + rel) if not equal	3	2
CJNE Rn, #data, rel	Compare with Rn, jump (PC + rel) if not equal	3	2
CJNE @Ri, #data, rel	Compare with @Ri A, jump (PC + rel) if not equal	3	2
DJNZ Rn, rel	Decrement Rn, jump if not zero	2	2
DJNZ direct, rel	Decrement (direct), jump if not zero	3	2
JC rel	Jump (PC + rel) if C bit = 1	2	2
JNC rel	Jump (PC + rel) if C bit = 0	2	2
JB bit, rel	Jump (PC + rel) if bit = 1	3	2
JNB bit, rel	Jump (PC + rel) if bit = 0	3	2
JBC bit, rel	Jump (PC + rel) if bit = 1	3	2
JMP @A+DPTR	A+DPTR \rightarrow PC	1	2

JZ rel	If A=0, jump to PC + rel	2	2
JNZ rel	If A ≠ 0 , jump to PC + rel	2	2
LCALL addr16	PC + 3 →(SP), addr16 →PC	3	2
LJMP addr 16	Addr16 →PC	3	2
NOP	No operation	1	1
RET	(SP) →PC	1	2
RETI	(SP) →PC, Enable Interrupt	1	2
SJMP rel	PC + 2 + rel →PC	2	2
JMP @A+DPTR	A+DPTR →PC	1	2
JZ rel	If A = 0. jump PC+ rel	2	2
JNZ rel	If A ≠ 0, jump PC + rel	2	2
NOP	No operation	1	1

Example programs

Character transmission using a time delay

A program shown below takes the character in 'A' register, transmits it, delays for transmission time, and returns to the calling program. Timer-1 is used to set the baud rate, which is 1200 baud in this program

The delay for one character transmission (in Mode 1 i.e.10 bits) is

$$10/2400 = 0.00833 \text{ seconds}$$

Or, 8.33 milliseconds

Hence software delay of 10ms is used.

Timer-1 generates a baud rate close to 1200. Using a 12MHz crystal, the reload value is

$$256 - \frac{12 \times 10^6}{32 \times 12 \times 2400} = 229.958$$

Or, 230 i.e. E6H

This gives rise to an actual baud rate of 1202.

SMOD is programmed to be 0.

Assembly language Program is as follows

```
RELOAD EQU 0E6H ; defining constant for reload value for baudrate
DELAY EQU 0A6H ; defining constant for 1 millisecond
DLYLSB EQU 0AH ; defining constant for 10 millisecond
DLYMSB EQU 00H ; defining constant
```

```
ORG 0000H ; Org directive
ANL PCON, #7FH ; SMOD = 0
ANL TMOD, #0FH ; Alter only Timer-1
ORL TMOD, #20H ; program Timer-1 in mode-2
MOV TH1, #RELOAD ; program reload value to TH1
SETB TR1 ; enable Timer-1 run bit (start timer)
MOV SCON, #40H ; Serial port in mode-1 (receive not enabled)
```

```
TRMIT: MOV SBUF, #'A' ; send the ASCII value of 'A'
        ACALL TRMITTIME ; wait for DELAY
        SJMP TRMIT ; again transmit
```

; Code to wait for the transmission to complete

The subroutine TRMITTIME generates a delay of about 10ms. With a clock of 12MHz, one instruction cycle time is

$$\frac{1}{12 \times 10^6} \times 12 = 1 \times 10^{-6}$$

The loop "MILSEC" generates a delay of about 1×10^{-3} sec. This gets executed 10 times for a total delay of 10×10^{-3} sec or 10ms

```

TRITTIME:    MOV A, #DLYLSE
              MOV B, #DLYMSE
              ACALL SOFTIME
              RET
SOFTIME:     PUSH 07H
              PUSH A
              ORL A, B
              CJNE A, #00H, OK
              POP A
              SJMP DONE

OK:          POP A

TIMER:       MOV R7, #DELAY ; Generate delay for 1 millisecond
MILSEC:      NOP
              NOP
              NOP
              NOP
              DJNZ R7, MILSEC
              NOP
              NOP
              DEC A
              CJNE A, #0FFH, NO ROLL
              DEC B

NO ROLL:     CJNE A, #00H, TIMER
DONE:        POP 07H
              RET

END

```

Interrupt driven character transmission

In 8051, when a character is transmitted, SBUF register becomes empty and this generates a serial port interrupt (TI). TI and RI both point to the vector location 0023H in the program memory. An interrupt service routine can be written at 0023H to send the next character. A program is written here to transmit a character say 'A' continuously based on interrupt. The microcontroller uses a clock of 12MHz with a baud rate of 1202. The program is executed following a hardware reset.

Assembly language program is as follows.

```

          RELOAD EQU 0E6H ; defining reload constant for baudrate generation
          ORG 0000H      ; org directive
          SJMP START    ; jump to main program

SENDCH:  ORG 0023H      ; ISR for RI/TI interrupt
          CLR TI        ; clear transmit flag
          MOV SBUF, #'A' ; send the ASCII value of 'A'
          RETI         ; return back to main program

START:   ANL PCON, #7FH ; Set SMOD=0
          ANL TMOD, #0FH ; Alter only the setting of Timer-1
          ORL TMOD, #20H ; Timer-1 in mode-2
          MOV TH1, #RELOAD ; Move the reload value to TH1
          SETB TR1      ; start Timer-1 for baud rate generation
          MOV SCON, #40H ; set serial port in mode-1
          ORL IE, #90H  ; Enable serial port interrupt

          MOV SBUF, #'A' ; Transmit a character

WAIT:    SJMP WAIT     ; wait till interrupt occurs

END

```

Interrupt driven data reception

When a character is received, if receive mode is enabled, RI flag is set. This leads to the interruption of the main program and the processor goes to the interrupt vector location, i.e.

0023H for serial port. The interrupt service routine at 0023H gets executed to read the character so that the next character can be received. The following program receives a Character on interrupt basis and outputs the character to port-1, possibly for a display. The crystal frequency is 12MHz and baud rate is set at 1202 baud.

Assembly language program is as follows

```
        RELOAD EQU 0E6H    ; defining reload constant for bandrate generation

        ORG 0000H          ; org directive
        SJMP START        ; jump to main program

RCVCH:  ORG 0023H          ; ISR for RI/TI interrupt
        CLR RI             ; clear RI flag
        MOV P1, SBUF       ; write received character to port-1
        RETI              ; return back to main program

START:  ANL PCON, #07FH    ; SMOD=0
        ANL TMOD, #0FH    ; Alter only the setting of Timer-1
        ORL TMOD, #20H    ; Program Timer-1 in mode-2
        MOV TH1, #RELOAD  ; Move the reload value to TH1
        SETB TR1          ; Runs the timer for baud rate generation
        MOV SCON, #40H    ; programs serial port in mode-1
        SETB REN          ; Receive is enabled
        ORL IE, #90H      ; Serial interrupt is enabled

WAIT:   SJMP WAIT         ; wait until receive interrupt occurs

END
```


QUESTIONS:

1. Differentiate between microprocessors and microcontrollers.
2. What is a special function register?
3. Which port of 8051 is used as address/data bus?
4. What is function of RS1 and RS0 bits in the PSW of the 8051?
5. What is the address range of the bit-addressable memory of the 8051?
6. Write note on memory organization in the 8051.
7. Explain the stack operation in the 8051.
8. Where are the registers R0 – R7 located in the 8051?
9. Give one example each for one-byte, two-byte and three-byte instructions of the 8051.
10. When the instruction DJNZ useful?
11. Write a program to multiply two 8-bit numbers in the internal RAM and store the result in the external RAM.
12. Write a program to shift a 4-digit BCD number left by one digit. Assume that the data is stored in 30H and 31H.
13. Write a program to reverse the bits in a byte.
14. Write a program to find the biggest number in a block of data stored in the memory locations 70H – 7FH.
15. Write a program to generate a square wave of 10 KHz on the LSB of port 1 i.e. P1.0, using a timer.

REFERENCES:

1. 0000 to 8085 Introduction to microprocessor for scientist & engineers by Ghosh & Sridhar, PHI.
2. Fundamentals of microprocessor and microcontroller by B. RAM, Dhanpat Rai Publications.
3. Advanced microprocessor and peripherals (architecture, programming and interfacing) by A.K.Roy & K.M.Bhurchandi, TMH Publication.
4. Microprocessor, theory and applications by A.V.Deshmukh, TMH Publication.